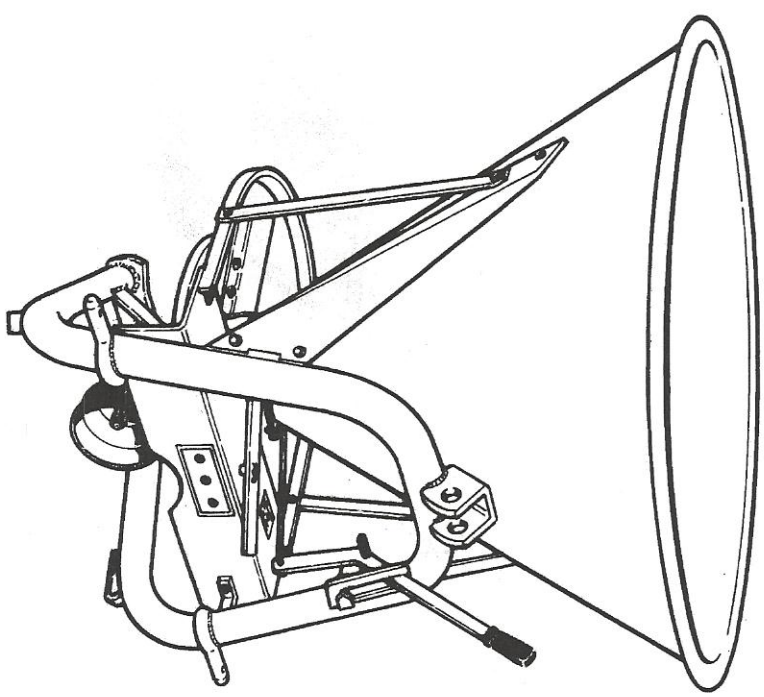


**XA  
XL**

- |                                 |                                 |
|---------------------------------|---------------------------------|
| <input type="checkbox"/> XA 150 | <input type="checkbox"/> XL 250 |
| <input type="checkbox"/> XA 250 | <input type="checkbox"/> XL 300 |
| <input type="checkbox"/> XA 300 | <input type="checkbox"/> XL 400 |
| <input type="checkbox"/> XA 400 | <input type="checkbox"/> XL 500 |
| <input type="checkbox"/> XA 500 |                                 |



**USER'S GUIDE**



**Kilworth Machinery Ltd**  
Annwell Lane, Smisby  
Ashby de la Zouch  
Leics, LE65 2TA  
☎ 01530 412690 Fax 01530 560002  
[www.kilworthmachinery.co.uk](http://www.kilworthmachinery.co.uk)

**TECHNICAL DATA**

MACHINE	Fertilizer spreader
SERIES and MODELS	XA150 XL250 XA250 XL300 XA300 XL400 XA400 XL500 XA500

POWERED BY Tractor PTO Shaft

SERIAL NUMBER .....

DEALER .....

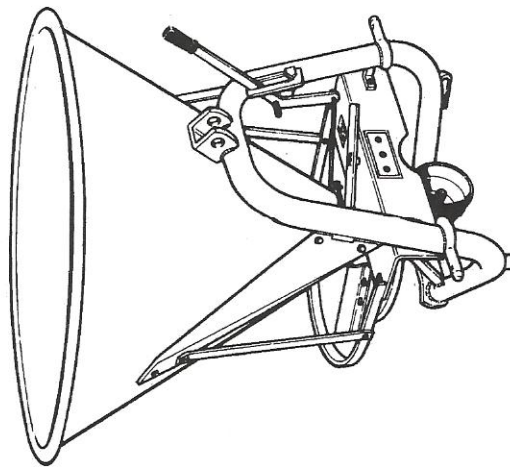
DELIVERY DATE .....

OWNER .....

**MANUAL IDENTIFICATION**

VERSION third

UPDATE 27/10/2006



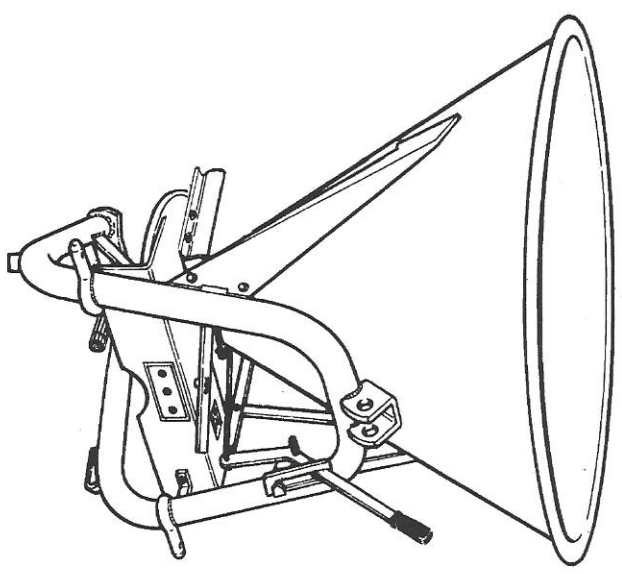
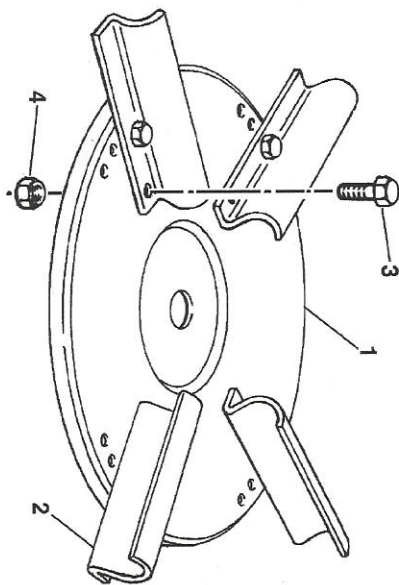
This part of the user's guide has to be filled in on delivery; it is advisable to mention the above indicated identification data whenever you contact your dealer.

REF.	CODE	Q.TY	DESCRIPTION	DESCRIZIONE
1	PA251010X	1	STAINLESS STEEL SPREADING DISC	DISCO SPARGITTORE INOX
2	PA251023X	4	STAINLESS STEEL VANE	PALETTA INOX
3	52390816I	8	SCREW STAINLESS STEEL M8X16	VITE INOX TELF. M8X16 UNI 5739
4	56870818I	8	STAINLESS STEEL NUT M8	DADO INOX ALTO M8 INOX
5				
6				
7				
8				
9				
10				
11				
12				
13				
14				
15				
16				
17				
18				
19				
20				
21				
22				
23				
24				
25				
26				
27				
28				
29				
30				
31				
32				
33				
34				
35				
36				
37				
38				
39				
40				
41				
42				
43				
44				
45				
46				
47				
48				
49				
50				

**STAINLESS STEEL SPREADING DISC**

**DISCO SPARGITORE IN INOX**

- XA 150**
- XA 250**
- XA 300**
- XA 400**
- XA 500**
- XL 250**
- XL 300**
- XL 400**
- XL 500**



**INDEX**

1	FOREWORD.....	4
2	WARRANTY.....	4
3	CONFORMITY STATEMENT.....	4
4	IDENTIFICATION PLATE.....	5
5	WARNING SIGNS.....	5
6	MACHINE DESCRIPTION.....	6
7	ACCIDENT PREVENTION STANDARDS.....	6
8	MACHINE USE.....	7
9	LOADING.....	8
10	DISTRIBUTION.....	8
11	BLADE ADJUSTMENT.....	8
12	SPREADING PATTERNS.....	8
13	ASSEMBLY.....	9
14	TRACTOR HITCHING.....	10
15	ACCESSORIES.....	11
16	MAINTENANCE.....	13
17	STORAGE.....	13
18	TRANSPORT.....	14
19	TECHNICAL DATA.....	14
20	DISPOSAL.....	14

**SPREADING TABLE.  
SPARE PARTS**

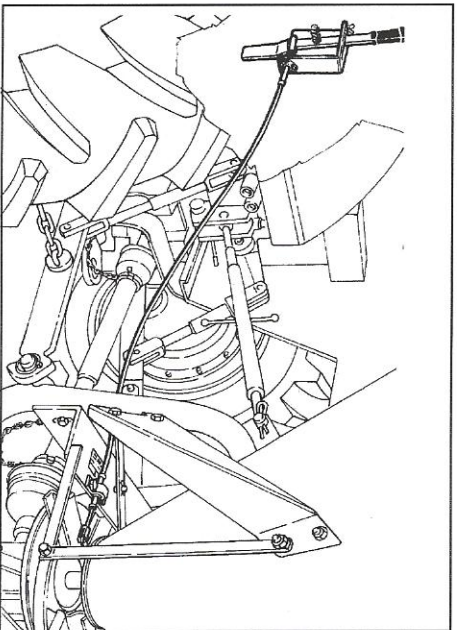
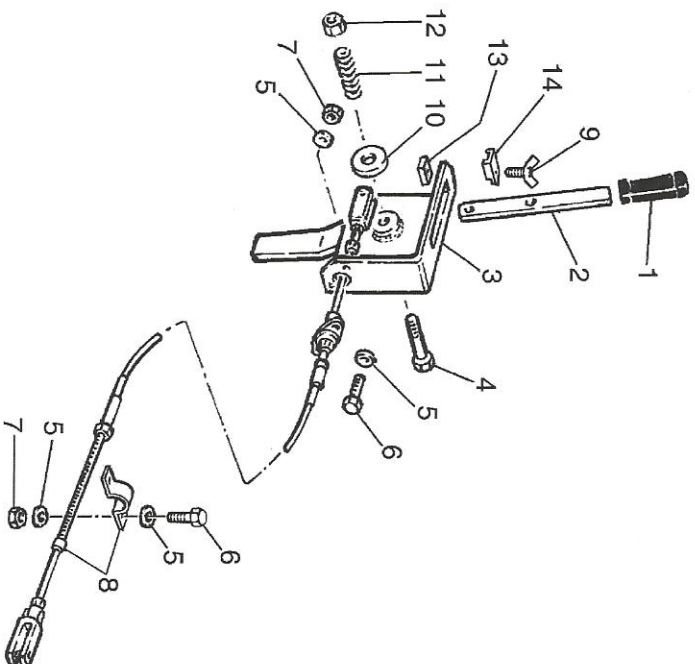
**XA**  
**XL**



## MECHANIC REMOTE CONTROL

COMANDO MECCANICO A DISTANZA

<b>XA 150</b>
<b>XA 250</b>
<b>XA 300</b>
<b>XA 400</b>
<b>XA 500</b>
<b>XL 250</b>
<b>XL 300</b>
<b>XL 400</b>
<b>XL 500</b>



## 4 IDENTIFICATION PLATE

The machine identification plate containing all relevant identity information is located on the guard. (Fig. 1)

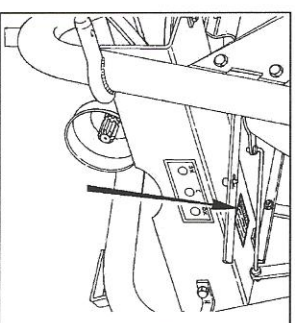


Fig. 1

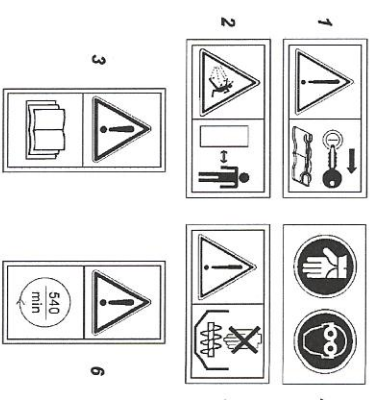


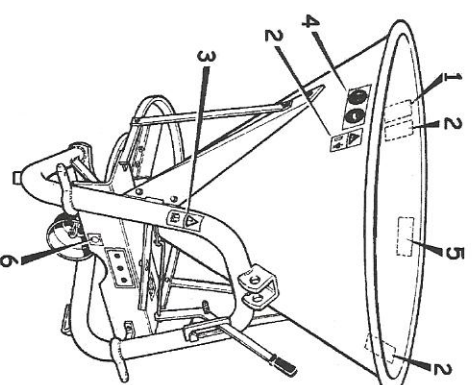
Fig. 2

## 5 WARNING SIGNS

The warning signs are affixed to the hopper, the frame and the guard as shown in the picture below.

### SIGNS DESCRIPTION

- 1 - Warning! Before servicing the spreader, take out the ignition key and read this guide carefully.
- 2 - Warning! Keep out. Hazard of fertilizer particles being spread.
- 3 - Read the user's guide carefully.
- 4 - Always wear safety gloves and glasses.
- 5 - Warning! Never put hands into rotating parts in movement.
- 6 - Revolutions per minute



It is advisable to keep the warning signs clean and make sure they are always legible: if necessary, request them from the manufacturer and replace with original warning signs.

# XA XL

## 6 MACHINE DESCRIPTION

This centrifugal spreader is suitable for spreading granular, dry or humid fertilizers and is designed to be hitched to tractors or self-propelled machines. The fertilizer is spread by means of a rotating disc equipped with 4 blades.

The machine consists of :

- 1 - spreading disc with blades
- 2 - frame and protections
- 3 - hopper

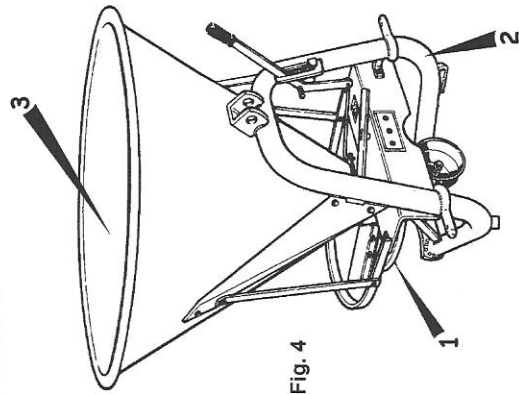


Fig. 4

## 7 ACCIDENT PREVENTION STANDARDS

### HOW TO AVOID ACCIDENTS



**In order to avoid accidents, pay close attention to the warning signs affixed to the machine and read this guide carefully.**

Make sure no bystanders (especially children) or animals are in the working area.

Wear close fitting and laced-up clothing, safety shoes, safety gloves, mask and glasses especially while spreading powder fertilizers and in windy weather conditions.



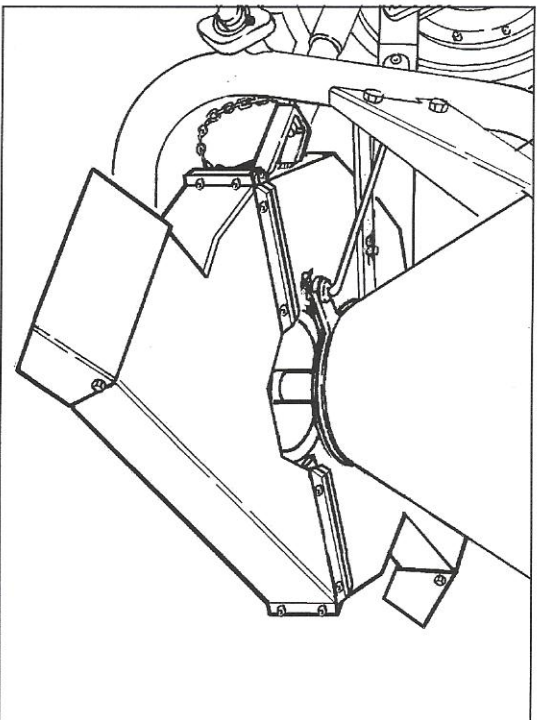
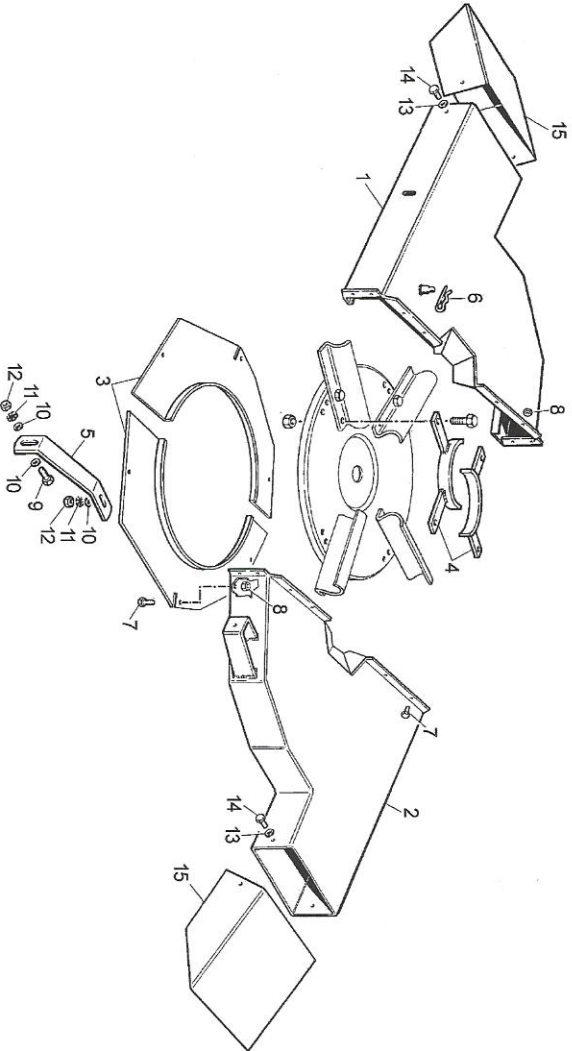
**While driving the tractor, make sure the P.T.O shaft is disengaged.**



**When the spreader is not being used, turn the motor off, put the handbrake on, disengage the P.T.O. and lay the spreader down on the ground.**

REF.	CODE	Q.TY	DESCRIPTION	DESCRIZIONE
1	CON100H	1	RIGHT DOUBLE BANDING KIT	CONVOGLIATORE DOPPIO DX
2	CON100G	1	LEFT DOUBLE BANDING KIT	CONVOGLIATORE DOPPIO SX
3	CON1046	2	LEFT BANDING BACK	FONDO CONVOGLIATORE SX
4	CON1031	2	TWO-SIDE SPREADING ADJUSTER	REGOLATORE DOPPIO SPAGLIO
5	CON1044	1	SUPPORT	SOSTEGNO CHIOCCIOLA
6	80100250	1	COTTER PIN A R D.2 L.50	SPINAA R D.2 L.50
7	57400615	14	GALVANIZED ROUND SCREW M6X16	VITE TE FIROND. M6X16 ZN
8	559006ZN	14	GALVANIZED HEXAGON NUT M6	DADO ES. CIRON. ZIG. M6-ZN
9	52391035	1	BOLT TE 10X35 ZN	VITE TEIF 8.8 ZN M10X35
10	659210ZN	3	GALVANIZED PLAIN WASHER M10	RONDELLA PIANA ZN M10 DIN 125/A
11	679910ZN	2	GALVANIZED WASHER M10	RONDELLA D.E.V. ZN M10 DIN 6798
12	588910ZN	2	GALVANIZED HEXAGON MEDIUM NUT M10	DADO ESAGONALE MEDIO PG ZN M10
13	659208ZN	4	GALVANIZED PLAIN WASHER M8	RONDELLA PIANA ZN M8 DIN 125/A
14	52390816	4	GALVANIZED SCREW M8X16	VITE TEIF 8.8 ZN M8X16 DIN 933
15	CON1005	2	BAFFLE	DEFLETTORE
€				

## DUAL FERTILIZER CONVEYOR CONVOGLIATORE DOPPIO



**XA 150**

**XA 250**

**XA 300**

**XA 400**

**XA 500**

**XL 250**

**XL 300**

**XL 400**

**XL 500**



**Never carry out any maintenance work with the spreader in operation or while the tractor is running.**

Never carry out any maintenance work with the spreader connected to the 3-point-hitch of the tractor: the spreader may suddenly fall down.

Before connecting the P.T.O. shaft, make sure the revolution number is the same of that of the tractor.

Abide by the national traffic code when transporting the machine on public roads.

Do not carry anyone while the machine is operating or during transfers.

Noise level under 70dB.

A careful operator is the best Insurance against accidents.

### 8 MACHINE USE

The machine can be hitched to any kind of tractors of suitable power.



**We recommend to start the spreader only outdoors and in good visibility conditions.**

### IMPROPER USE

It is forbidden to use the spreader differently from what described and specified in the present guide.

It is forbidden to remove safety devices and chain guards.

It is forbidden to make changes to any part of the spreader.

It is forbidden to put hands, arms or any other part of the body inside the rotating parts.

Never load the hopper with wet products; the machine may get obstructed.

Never use the spreader to spread dangerous substances i.e. glass, pebbles or similar products as they may injure people or cause damages.

Disabled personnel are not allowed to use the spreader.

Mirrors are not allowed to use the spreader.

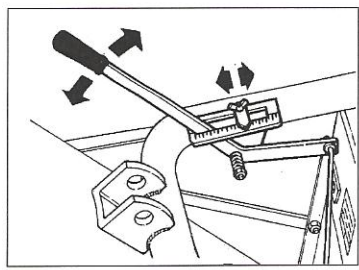
### 9 LOADING

Before loading the hopper, make sure the tractor is off and the P.T.O. shaft disconnected.

**! We recommend that the whole loading operation is carried out by the same operator. Lay down the spreader on the ground and then load the hopper.**

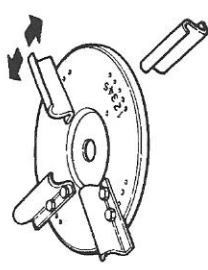
### 10 DISTRIBUTION

By means of a lever positioned near the third point it is possible to increase or reduce the quantity of fertilizer to be spread. By pulling the lever down, the quantity is increased, by pulling the lever up the quantity is reduced till complete flow stop.



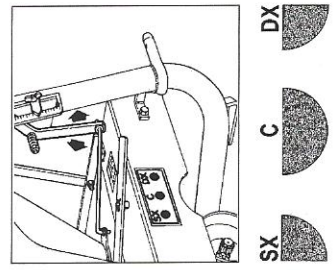
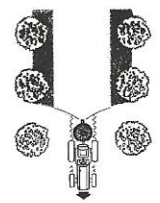
### 11 BLADE ADJUSTMENT

According to the different specific weights of the fertilizers to be spread, so as to get spreading uniformity to the right as well as to the left, the blades can be fixed on the spreading disc into 5 different positions marked by the stops 1-2-3-4-5. The blades are usually fixed into the stop nr.3. By fixing the blade towards the stop nr.1, the spreading is increased to the left. By fixing the blade towards the stop nr.5, the spreading is increased to the right.



### 12 SPREADING PATTERNS

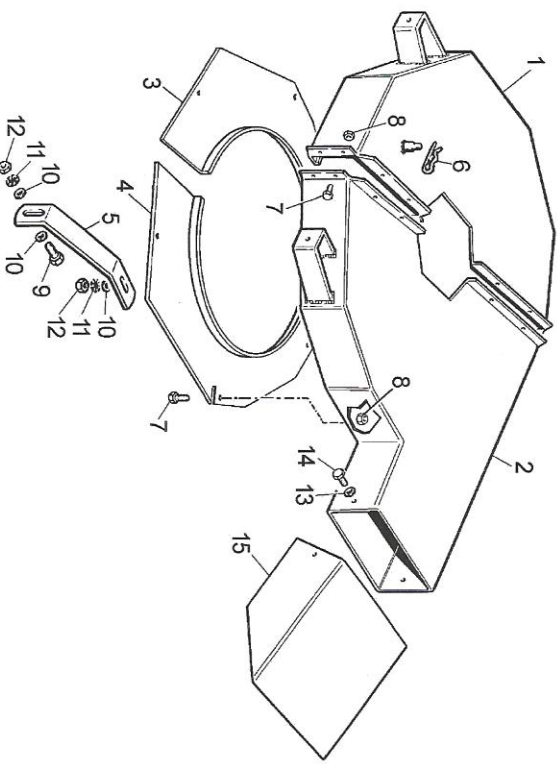
By simply changing the position of the lower lever, it is possible to spread exclusively to the right or to the left of the tractor driver. The lever has 3 holes: a uniform full-width spreading pattern is obtained by fixing the lever into the central hole, and a localized spreading pattern (to the left as well as to the right) is obtained by fixing the lever into the other two holes.



REF.	CODE	Q.TY	DESCRIPTION	DESCRIZIONE
1	CON100E	1	LEFT BANDING	CONVOGLIATORE SX
2	CON100F	1	RIGHT BANDING	CONVOGLIATORE DX
3	CON1045	1	BANDING BACK	FONDO CONVOGLIATORE
4	CON1046	1	LEFT BANDING BACK	FONDO CONVOGLIATORE SX
5	CON1044	1	SUPPORT	SOSTEGNO CHIOCCIOLA
6	80100250	1	COTTER PINA R.D.2 L.50	SPINAA R.D.2 L.50
7	57400615	14	GALVANIZED ROUND SCREW M8X16	VITE TE FIROND. M8X16 ZN
8	559006ZN	14	GALVANIZED HEXAGON NUT M6	DADO ES. CIRCON. ZIG. M6-ZN
9	52391035	1	BOLT TE 10X35 ZN	VITE TEIF 8.8 ZN M10X35
10	689210ZN	3	GALVANIZED PLAIN WASHER M10	RONDELLA PIANA ZN M10 DIN 125/A
11	679810ZN	2	GALVANIZED WASHER M10	RONDELLA D.E.V. ZN M10 DIN 6798
12	568810ZN	2	GALVANIZED HEXAGON MEDIUM NUT M10	DADO ESAGONIALE MEDIO P.G. ZN M10
13	689208ZN	2	GALVANIZED PLAIN WASHER M8	RONDELLA PIANA ZN M8 DIN 125/A
14	52390816	2	GALVANIZED SCREW M8X16	VITE TEIF 8.8 ZN M8X16 DIN 933
15	CON1005	1	BAFFLE	DEFLETTORE
€				

## FERTILIZER CONVEYOR CONVOGLIATORE

- XA 150**
- XA 250**
- XA 300**
- XA 400**
- XA 500**
- XL 250**
- XL 300**
- XL 400**
- XL 500**

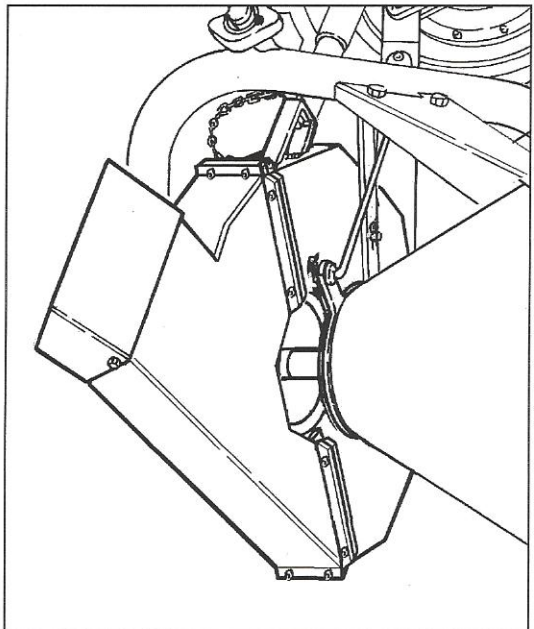
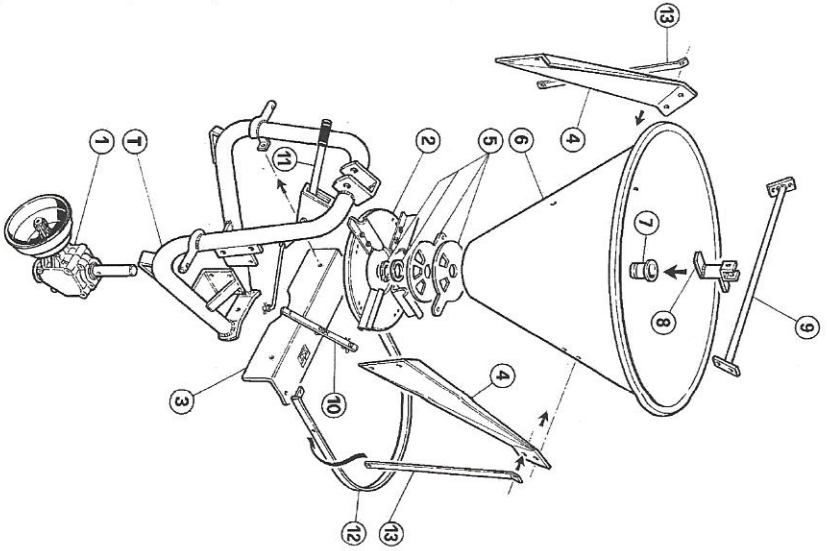


### 13 ASSEMBLY



Operators are required to be extremely careful during assembly. The assembly must be carried out following the instructions of the user's guide. The accident prevention standards must be observed: always use suitable tools.

- 1 - Fix the gear-box (1) to the frame (T).
- 2 - Mount the spreading disc (2) on the drive shaft of the gear box (1) and fix with a pin.
- 3 - Fix the guard (3) to the frame (T).
- 4 - Fix the two side supports (4) to the frame.
- 5 - Insert the circlip, the washer and the dosing discs in the drive shaft of the gear box (see 5).
- 6 - Fix the hopper (6) to the side supports (4) and to the frame.
- 7 - Insert the agitator bush guide (7) in the discharging hole.
- 8 - Fix the agitator (8) to the drive shaft of the gear box.
- 9 - Mount the hopper reinforcement bar (9) and fix it together with the side supports (4) and the supporting bars (13) by means of screws.
- 10 - Mount the selector rod and connect it to the 3-hole dosing disc.
- 11 - Mount the adjustment lever (11) and connect the flow adjustment bars to the 2-hole dosing disc.
- 12 - Mount the roll-over protection device on the guard and fix it to the two supporting-bars with screws.



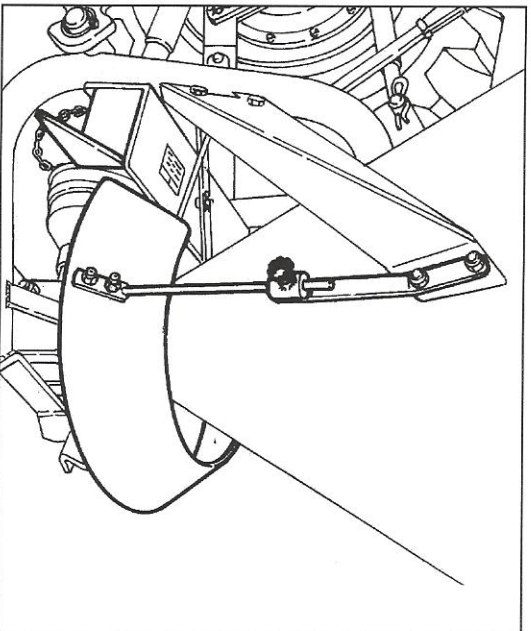
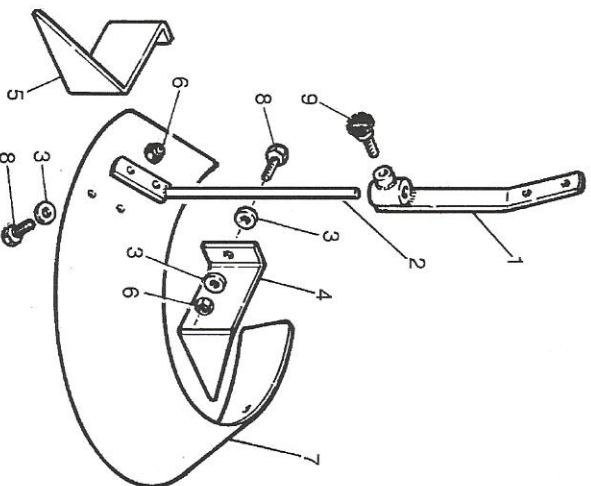
# XA XL



## DEFLECTOR FOR SALT/SAND

DEFLETTORE SPARGI SALE/SABBIA

<b>XA</b> 150
<b>XA</b> 250
<b>XA</b> 300
<b>XA</b> 400
<b>XA</b> 500
<b>XL</b> 250
<b>XL</b> 300
<b>XL</b> 400
<b>XL</b> 500



## 15 ACCESSORIES

The fertilizer-spreader can be equipped with the following accessories:

- Articulated agitator kit for powder fertilizers (Fig. 12)
- Mechanic remote control (Fig. 13)
- Deflector for salt/sand (Fig. 14)
- Single fertilizer conveyor (Fig. 15)
- Dual fertilizer conveyor (Fig. 16)

### ARTICULATED AGITATOR KIT FOR POWDER FERTILIZERS

This accessory together with the agitator permits the spreading of powder or damp fertilizers; its function is to keep the fertilizer flowing down into the discharging hole.

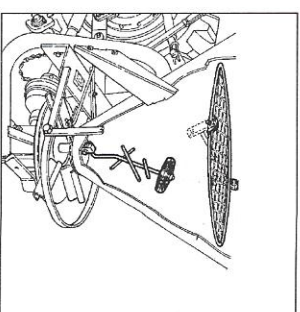


Fig. 12

### MECHANIC REMOTE CONTROL

Supplied on request. It consists of a 2.5 m extension containing a steel wire that, connected to the adjustment lever makes the adjustment possible from the tractor seat, so as to assure a safe and handy work.

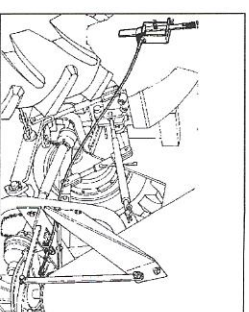


Fig. 13

### DEFLECTOR FOR SALT/SAND

It consists of a section of a steel cone and of two adjustable lateral supports; with this accessory the product is spread in the area right below the hopper.

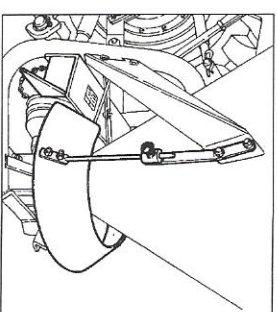


Fig. 14

# XA XL



## ARTICULATED AGITATOR

### AGITATORE ARTICOLATO

**XA 150**

**XA 250**

**XA 300**

**XA 400**

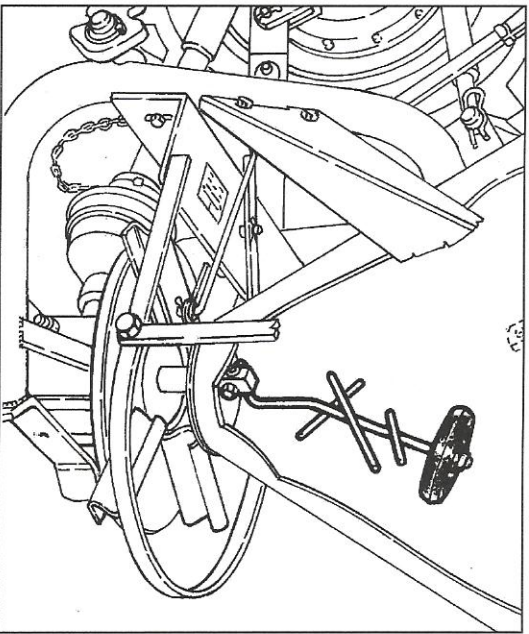
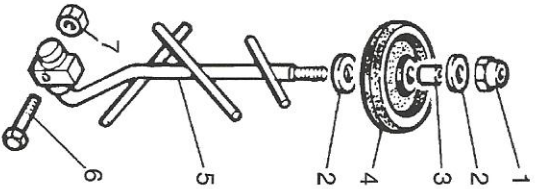
**XA 500**

**XL 250**

**XL 300**

**XL 400**

**XL 500**



## 16 MAINTENANCE

Before any maintenance operation or replacing of spare parts, make sure the spreader is detached from the tractor or at least laid on the ground.

Always switch the tractor motor off, remove the ignition key and make sure the spreader is securely fixed. **It is forbidden to service the spreader while it is working or the tractor is on.**

Abide by the instructions of this user's guide.

Always clean the spreader before carrying out any maintenance work or servicing it. Always wear protective gloves and always use suitable tools.

### STANDARD MAINTENANCE

Before using the spreader make sure that the hopper bottom is not obstructed.

After use, clean the hopper carefully and remove fertilizer residues. Before storing the spreader, it is advisable to unload the hopper completely so as to prevent product residues from obstructing the hopper or blocking the bottom shutter.

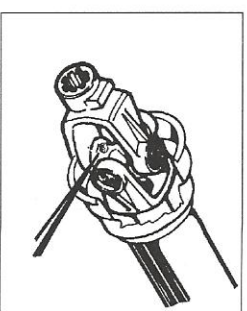
### PROGRAMMED MAINTENANCE

Every 10 hours:

- grease the joint spiders of the drive-shaft

Every 50 hours:

- make sure all screws are firmly tightened



## 17 STORAGE

At the end of the season or before long periods of inactivity, it is necessary to:

- clean the spreader carefully

- check the worn-out or damaged parts and, if necessary, replace them

- make sure all bolts are firmly tightened

It is in the user's interest to find the spreader in good working condition at the beginning of a new season.

# XA XL

## 18 TRANSPORT

The machine is supplied disassembled, packed in cardboard and nylon. It is important to read this guide to mount it up correctly.

Respect the natural environment. Throw the carton boxes in the proper containers

## 19 TECHNICAL FEATURES

### • MEASURES

MODEL	HEIGHT	WIDTH	LENGTH	CAPACITY	WEIGHT	MAX LOAD
XA 150	89 cm	90 cm	108 kg	150 l	45 kg	550 kg
XA 250	97 cm	100 cm	113 kg	200 l	46 kg	550 kg
XA 300	104 cm	108 cm	117 kg	250 l	49 kg	550 kg
XA 400	110 cm	114 cm	120 kg	300 l	52 kg	550 kg
XA 500	114 cm	119 cm	123 kg	350 l	54 kg	550 kg
XL 250	96 cm	105 cm	114 kg	200 l	45 kg	550 kg
XL 300	104 cm	113 cm	118 kg	250 l	46 kg	550 kg
XL 400	110 cm	120 cm	122 kg	300 l	48 kg	550 kg
XL 500	114 cm	123 cm	124 kg	350 l	50 kg	550 kg

### • TECHNICAL DATA (All versions)

Powered by Tractor P.T.O. shaft at 540 RPM  
 Required power 6 kW

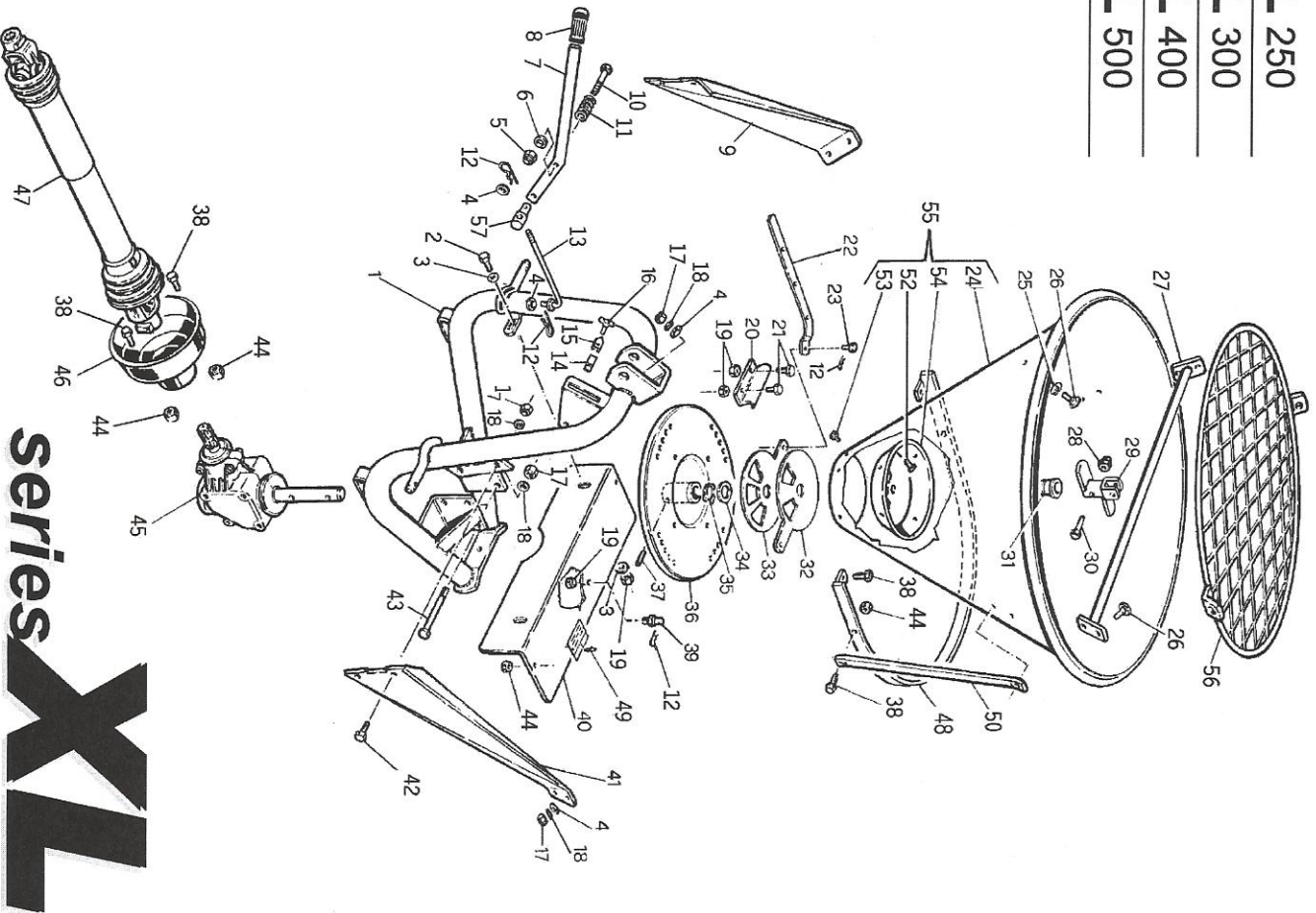
## 20 MACHINE DISPOSAL

At the end of its working life, the spreader must be demolished. Its various components must be sorted out and accordingly disposed of. For a correct disposal, abide by the regulations in force in the user's land.

REF.	CODE	Q.TY	DESCRIPTION	DESCRIZIONE
1	XA251100	1	FRAME XA-XL	TELAIO XA-XL
2	52390820	2	GALVANIZED SCREW M8X20	VITE TEFF 8.8 ZN M8X20 DIN 933
3	65920820	4	GALVANIZED PLAIN WASHER M8	RONDELLA PIANA ZN M8 DIN 125/A
4	6592102N	7	GALVANIZED PLAIN WASHER M10	RONDELLA PIANA ZN M10 DIN 125/A
5	7475102N	1	GALVANIZED SELFLOCKING HIGH NUT M10	DADO AUTOBL. ALTO ZN M10 DIN 982
6	PA251027	1	BAKELITE WASHER	DISCHETTO BACHELITE
7	XA251010	1	ADJUSTMENT LEVER	LEVAPERTURA CONCIME
8	IMG00820	1	RUBBER HANDLE 8X20	IMPUGNATURA GOMMA 8X20
9	XA251008	1	SIDE SUPPORT RH	SUPPORTO LATERALE DX
10	50371065	1	CAP SCREW 4.8 ZN M10X65 DIN 931	VITE TEFF 4.8 ZN M10X65 DIN 931
11	PA251026	1	COMPRESSION SPRING	MOLLA COMPRESSIONE
12	80100250	4	COTTER PIN R D2 L50	SPINNA R D2 L50
13	XA251127	1	FLOW ADJUSTMENT BAR	TIRANTE DI REGOLAZIONE
14	PA251024	1	FIXING BLOCK	QUADRO DI FISSAGGIO
15	PA251025	1	INDICATOR	INDICATORE DI DISTRIBUZIONE
16	54490616	1	WING SCREW 6X16 DIN 316	VITE T-ALLETTE 6X16 ZN DIN 316
17	5587102N	12	HEX NUT PG ZN M10 UNI 5587	DADO ES. ALTO PG ZN M10 UNI 5587
18	6798102N	12	GALVANIZED WASHER M10	RONDELLA D.E.V. ZN M10 DIN 6798
19	597082N	11	GALVANIZED HEXAGON HIGH NUT M8	DADO ES. ALTO PG ZN M8 UNI 5587
20	PA251023	4	VANE	PALETTA
21	52390816	8	GALVANIZED SCREW M8X16	VITE TEFF 8.8 ZN M8X16 DIN 933
22	XA251007	1	SELECTOR ROD RH-LH	ASTA REGOLAZIONE SPAGLIO DX-SX
23	PA251014	1	CONNECTOR PIN	PIOLINO DI COLLEGAMENTO
24	XL251001A	1	PLASTIC HOPPER Ø=955 H.662	TRAMOGGIA Ø=955 H.662
24	XL1301001A	1	PLASTIC HOPPER Ø=1035 H.733	TRAMOGGIA Ø=1035 H.733
24	XL1401001A	1	PLASTIC HOPPER Ø=1100 H.789	TRAMOGGIA Ø=1100 H.789
24	XL1501001A	1	PLASTIC HOPPER Ø=1150 H.833	TRAMOGGIA Ø=1150 H.833
25	PV251004	1	WASHER FOR HOPPER FIXING	RONDELLA FISSAGGIO TRAMOGGIA
26	57321025	5	CUPHEAD SCREW 10X25 ZN DIN 603	VITE T-TONDA 10X25 ZN DIN 603
27	XA251600	1	HOPPER REINFORCEMENT BAR	TUBO INTERNO TRAMOGGIA
28	7473062N	1	GALVANIZED SELF-LOCKING HIGH NUT M8	DADO AUTOBLOCCANTE ALTO ZN M8
29	PA251032	1	AGITATOR XL	AGITATORE XL
30	52370845	1	BOLT 8.8 ZN M8X45 DIN 931	VITE TEFF 8.8 ZN M8X45 DIN 931
31	PA251016	1	AGITATOR BUSH GUIDE	BUSSOLA GUIDA AGITATORE
32	PA251018	1	STAINLESS STEEL DOSING DISC	DISCO INOX DOSATURA 2 FORI
33	PA251019	1	ADJUSTMENT DISC - 3 HOLES	DISCO INOX REGOLAZIONE 3 FORI
34	PA251021	1	LOCK WASHER	RONDELLA TENUTA DISCO
35	74352000	1	SNAP RING E D.32 DIN 471	ANELLO SEEGER E D.32
36	PA251010	1	SPREADING DISC	DISCO SPARGITORE
37	XA251044	1	PIN D.8 L.40	SPINA ELASTICA D.8 L.40
38	57400620	6	GALVANIZED SCREW M6X20	VITE TE F/IRON. M6X20 ZN
39	XA251014	1	ADJUSTMENT PIN	PIOLINO DI REGOLAZIONE
40	XA251001	1	GUARD XA-XL	CARTER PROTEZIONE XA-XL
41	XA251009	1	SIDE SUPPORT LH	SUPPORTO LATERALE SX
42	5291025	4	GALVANIZED SCREW M10X25	VITE TEFF 8.8 ZN M10X25 DIN 933
43	50371011	3	SCREW TEFF 4.8 ZN M10X110	VITE TEFF 4.8 ZN M10X110
44	5580062N	6	GALVANIZED HEXAGON NUT M6	DADO ES. C/IRON. ZIG. M6-ZN
45	XA251016	1	GEAR BOX L150B-R.1:1	GRUPPO TRASMISSIONE L150B-R.1:1
46	XA351003	1	PTO GUARD	CUFFIA DI PROTEZIONE GRUPPO NERA
47	C31700CE	1	PTO SHAFT 8X700 EC STANDARDS	ALB. CARDANO 8X700-NORME CE
48	XA361001	1	UPPER SAFETY-DEVICE	PROTEZIONE SUPERIORE
49	30018001	2	NICKEL-PLATED RIVET MF 33	RIVETTO NICHELATO MF-33
50	XA381001	2	UPPER SAFETY-DEVICE SUPPORT	SOSTEGNO PROTEZIONE SUPERIORE
52	XL251004	6	NUT M6 6X11 TE-17	DADO M6 6X11 TE-17
53	XL251003	6	SCREW M6 6X11 TE-17	VITE M6 6X11 TE-17
54	XL251002	1	STAINLESS STEEL BOTTOM XL	FONDO INOX TRAMOGGIA XL
55	XL251000	1	250 HOPPER CM BOTTOM	TRAMOGGIA 250 CON FONDO INOX
55	XL301000	1	300 HOPPER CM BOTTOM	TRAMOGGIA 300 CON FONDO INOX
55	XL401000	1	400 HOPPER CM BOTTOM	TRAMOGGIA 400 CON FONDO INOX
55	XL501000	1	500 HOPPER CM BOTTOM	TRAMOGGIA 500 CON FONDO INOX
56	XA351005	1	PROTECTION GRID	PROTEZIONE TRAMOGGIA
57	XA251128	1	COUPLING	ATTACCO ASTA DI REGOLAZIONE

# XA-XL/SPARE PARTS

**XL 250**  
**XL 300**  
**XL 400**  
**XL 500**



# Series XL

**4**  
**XA-XL**  
**Fertilizer spreader**  
 Spare parts

## SPREADING TABLE

Fertilizer type	PTO	Spreading width (m)	km/h	kg/ha of fertilizer to be spread at the speed indicated in column km/h												
				OPENING												
				1.5	2	2.5	3	3.5	4	4.5	5	5.5	6	6.5	7	
Coarse grained fertilizers	540	18	1.5	225	375	691	1139	1455	1795	2175	2628	2890	3250	3560	4005	
			4	106	156	277	465	580	720	887	1050	1155	1305	1450	1628	
			8	58	78	145	230	292	360	441	530	586	675	742	835	
			12	39	60	96	156	197	245	292	363	385	450	485	552	
			16	23	39	72	120	150	192	225	270	290	335	369	420	
			1.5	523	896	1279	1635	2027	2258	2624	2894	3169	3352	3686		
			4	197	370	525	671	830	927	1062	1167	1281	1350	1495		
Medium grained fertilizers	540	16	8	118	192	265	340	422	459	537	590	652	694	753		
			12	82	127	183	223	284	321	365	398	449	465	512		
			16	60	92	130	174	212	232	276	300	331	350	382		
			1.5	198	324	550	926	1195	1507	1766	2125	2392	2743	2980	3317	
			4	95	137	229	382	494	619	727	866	971	1122	1217	1332	
			8	52	68	121	200	252	315	364	445	496	561	608	677	
			12	33	46	105	137	172	217	248	286	334	382	415	454	
Fine grained fertilizers	540	12	16	19	34	59	98	128	154	189	224	263	288	317	335	
			1.5	375	620	1144	1855	2294	2940	3436	4094	4583	5065	5577	6144	
			4	131	249	468	751	927	1197	1387	1643	1842	2047	2242	2470	
			8	77	127	237	374	473	607	698	829	933	1031	1124	1241	
			12	50	86	159	253	318	414	472	557	621	689	755	827	
			16	34	61	114	194	235	312	361	413	464	517	564	624	
			1.5	312	852	1255	1859	2295	2095	3259	3801	4574				
Medium cristal fertilizers	540	8	4	124	341	515	752	919	1129	1316	1526	1714				
			8	66	169	260	337	462	562	664	764	858				
			12	42	113	168	248	309	378	441	510	571				
			16	29	83	127	189	232	285	328	382	427				
			1.5	161	642	1050	1581	2022	2499	2963	3478	3812	4281	4590	5138	
			4	69	254	424	633	814	1007	1182	1395	1531	1718	1842	2057	
			8	32	130	214	319	411	504	590	699	792	880	919	1033	
Calcium cyanamide and similar	540	10	12	26	83	139	215	274	335	396	475	513	577	618	690	
			16	17	66	107	162	204	252	298	350	382	429	466	515	
			1.5	2571	5724	7580	7874									
			4	650	1451	1915	1913									
			8	330	610	658	988									
			12	222	485	337	662									
			19													
Ammonium sulphate (Cr)	540	10	1.5													
			4													
			8													
Thomas meal	400	6	1.5													
			6													
			12													
500	6	1.5														
		6														
		12														
19	6	1.5														
		6														
		12														

In order to make the reference to the spreading table as clear as possible, we have listed only a few FERTILIZERS that differ in composition, quality, shape and specific weight. We remind you that the above indicated data are intended for reference only and are not binding. The data of the spreading table were obtained with the P.T.O. at 500 revolutions per minute and with the spreading disc at a height of 70/80 cm from ground. The tractor may run at a different speed from what indicated in the spreading table; we remind you that by increasing or reducing the speed, the quantity of FERTILIZER to be spread per hectare is accordingly increased or reduced.

**SEEDS SPREADING TABLE**

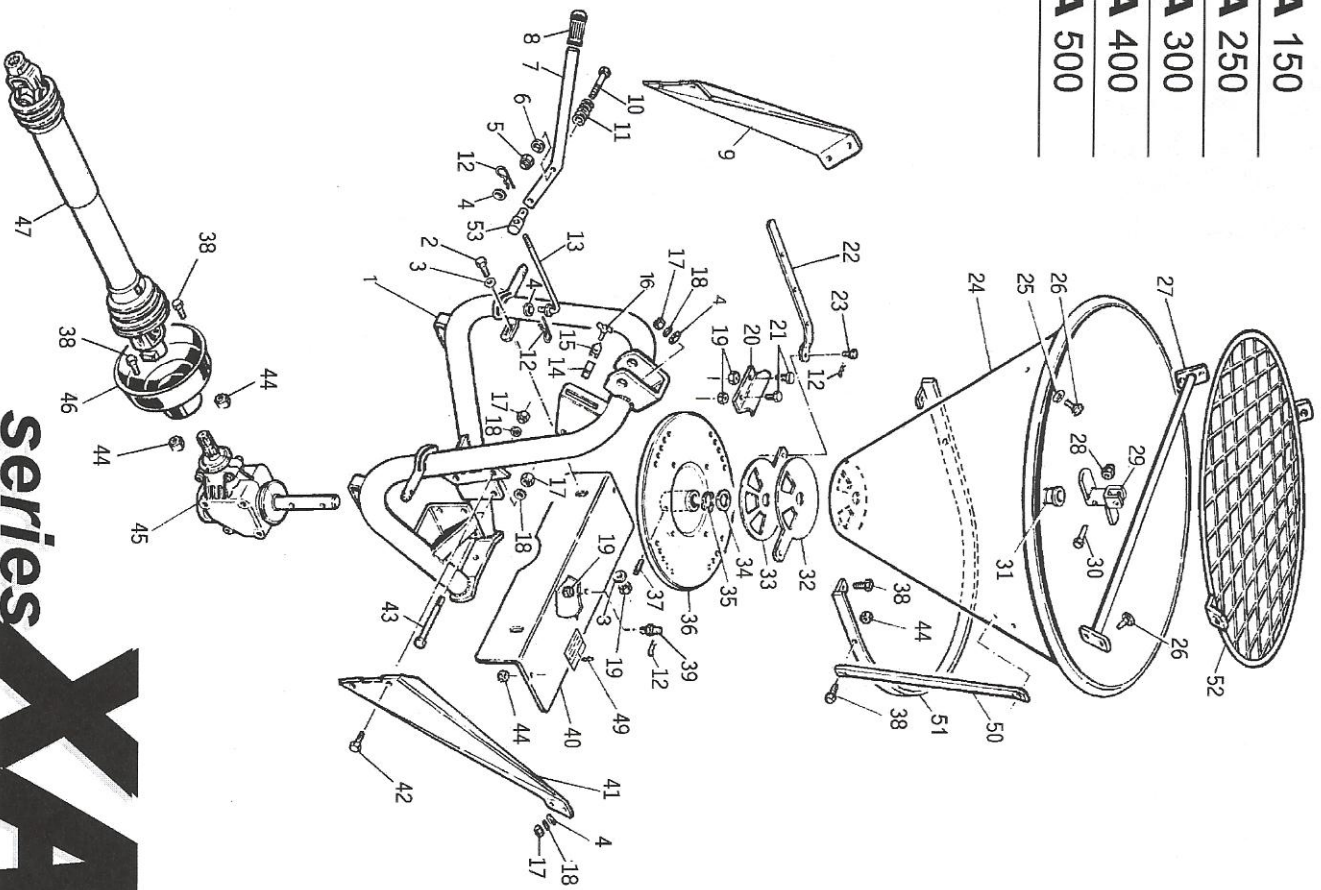
SEED	PTO	Spreading width (m)	FEED	Forward speed in km/h					kg/ha of fertilizer to be spread at the speed indicated in column km/h
				1,5	2	2,5	3	3,5	
WHEAT	500	16	2	306	122	61	40	29	
			2,5	495	197	98	65	48	
			3	677	270	135	89	67	
			3,5	830	354	177	118	88	
OAT	500	8	1,5	235	92	46	30	22	
			2	389	155	77	51	38	
			2,5	580	231	115	77	56	
			3	777	310	154	103	77	
RYE	500	16	2	395	156	81	51	39	
			2,5	615	242	122	82	62	
			3	843	336	167	111	86	
			3,5	1025	410	205	136	102	
BARLEY	500	12	2,5	405	161	80	52	40	
			3	492	197	97	64	49	
			3,5	680	273	135	91	66	
			4	837	334	166	110	82	
RYE GRASS	500	5	1,5	56	22	12	8	6	
			2	159	64	33	22	16	
			2,5	335	134	68	45	34	
			1,5	43	18	9	7	4	
RAPE SEED	500	6,5	2	240	96	47	32	24	
			2,5	478	192	96	64	47	
			1,5	64	25	12	8	7	
			2	220	88	44	29	23	
RED CLOVER	500	6,5	2,5	539	217	108	73	54	

In order to make the reference to the spreading table as clear as possible, we have listed only a few SEEDS that differ in composition, quality, shape and specific weight. We remind you that the above indicated data are intended for reference only and are not binding. The data of the spreading table were obtained with the P.T.O. at 500 revolutions per minute and with the spreading disc at a height of 70/80 cm from ground. The tractor may run at a different speed from what indicated in the spreading table: we remind you that by increasing or reducing the speed, the quantity of SEEDS to be spread per hectare is accordingly increased or reduced.

REF.	CODE	Q.TY	DESCRIPTION	DESCRIZIONE
1	XA25100	1	FRAME XA-XL	TELAIO XA-XL
2	52390820	2	GALVANIZED SCREW M8X20	VITE TEFF 8.8 ZN M8X20 DIN 933
3	6592087N	4	GALVANIZED PLAIN WASHER M8	RONDELLA PIANA ZN M8 DIN 125/A
4	6592102N	7	GALVANIZED PLAIN WASHER M10	RONDELLA PIANA ZN M10 DIN 125/A
5	7473102N	1	GALVANIZED SELF-LOCKING HIGH NUT M10	DADO AUTOBL. ALTO ZN M10 DIN 982
6	PA251027	1	BAKELITE WASHER	DISCHETTO BACHELITE
7	XA251010	1	ADJUSTMENT LEVER	LEVA APERTURA CONCIME
8	IMG00820	1	RUBBER HANDLE 8X20	IMPUGNATURA GOMMA 8X20
9	XA251008	1	SIDE SUPPORT RH	SUPPORTO LATERALE DX
10	50371065	1	CAP SCREW 4.8 ZN M10X65 DIN 931	VITE TEFF 4.8 ZN M10X65 DIN 931
11	PA251026	1	COMPRESSION SPRING	MOLLAA COMPRESSIONE
12	80100250	4	COTTER PIN A R.D.2 L.50	SPINNA R.D.2 L.50
13	XA251127	1	FLOW ADJUSTMENT BAR	TIRANTE DI REGOLAZIONE
14	PA251024	1	FIXING BLOCK	QUADRO DI FISSAGGIO
15	PA251025	1	INDICATOR	INDICATORE DI DISTRIBUZIONE
16	54490616	1	WING SCREW 6X16 DIN 316	VITE T-ALETTE 6X16 ZN DIN 316
17	5687102N	12	HEX NUT PG ZN M10 UNI 5687	DADO ES. ALTO PG ZN M10 UNI 5687
18	6798102N	12	GALVANIZED WASHER M10	RONDELLA D.E.V. ZN M10 DIN 6798
19	5687082N	11	GALVANIZED HEXAGON HIGH NUT M8	DADO ES. ALTO PG ZN M8 UNI 5687
20	PA251023	4	VANE	PALETTA
21	52390816	8	GALVANIZED SCREW M8X16	VITE TEFF 8.8 ZN M8X16 DIN 933
22	XA251007	1	SELECTOR ROD RH-LH	ASTA REGOLAZIONE SPAGLIO DX-SX
23	PA251014	1	CONNECTION PIN	PIOLINO DI COLLEGAMENTO
24	XA251021	1	STEEL HOPPER Ø=860	TRAMOGGIA ACCIAIO Ø=860
24	XA251022	1	STEEL HOPPER Ø=955	TRAMOGGIA ACCIAIO Ø=955
24	XA251023	1	STEEL HOPPER Ø=1035	TRAMOGGIA ACCIAIO Ø=1035
24	XA251026	1	STEEL HOPPER Ø=1100	TRAMOGGIA ACCIAIO Ø=1100
24	XA251024	1	STEEL HOPPER Ø=1150	TRAMOGGIA ACCIAIO Ø=1150
25	PV251004	1	WASHER FOR HOPPER FIXING	RONDELLA FISSAGGIO TRAMOGGIA
26	57321025	5	CUPHEAD SCREW 10X25 ZN DIN 603	VITE T-TONDA 10X25 ZN DIN 603
27	XA251600	1	HOPPER REINFORCEMENT BAR	TUBO INTERNO TRAMOGGIA
28	7473082N	1	GALVANIZED SELF-LOCKING HIGH NUT M8	DADO AUTOBLOCCANTE ALTO ZN M8
29	XA251002	1	AGITATOR XA	AGITATORE XA
30	52370845	1	BOLT 8.8 ZN M8X45 DIN 931	VITE TEFF 8.8 ZN M8X45 DIN 931
31	PA251016	1	AGITATOR BUSH GUIDE	BUSSOLA GUIDA AGITATORE
32	PA251018A	1	QUANTITY ADJUSTMENT DISC	DISCO FE DOSATURA 2 FORI
33	PA251019A	1	ADJUSTMENT DISC - 3 HOLES	DISCO FE REGOLAZIONE 3 FORI
34	PA251021	1	LOCK WASHER	RONDELLA TENUTA DISCO
35	74353200	1	SNAP RING E.D.32 DIN 471	ANELLO SEEGER E.D.32
36	PA251010	1	SPREADING DISC	DISCO SPARGITORE
37	XA251044	1	PIN D.8 L.40	SPINA ELASTICA D.8 L.40
38	57400620	6	GALVANIZED SCREW M6X20	VITE TE F/ROND. M6X20 ZN
39	XA251014	1	ADJUSTMENT PIN	PIOLINO DI REGOLAZIONE
40	XA251001	1	GUARD XA-XL	CARTER PROTEZIONE XA-XL
41	XA251009	1	SIDE SUPPORT LH	SUPPORTO LATERALE SX
42	52391025	4	GALVANIZED SCREW M10X25	VITE TEFF 8.8 ZN M10X25 DIN 933
43	50371011	3	SCREW TEFF 4.8 ZN M10X110	VITE TEFF 4.8 ZN M10X110
44	5990062N	6	GALVANIZED HEXAGON NUT M6	DADO ES. CIRCON. ZIG. M6-ZN
45	+XA251016	1	GEAR BOX L1508-R:1:1	GRUPPO TRASMISSIONE L1508-R:1:1
46	XA351003	1	PTO GUARD	CUFFIA DI PROTEZIONE GRUPPO NEFA
47	C31700CE	1	PTO SHAFIT 8X700 EC STANDARDS	ALB. CARDANO 8X700-NORME CE
49	30018001	2	NICKEL-PLATED RIVET MF 33	RIVETTO NICHELATO MF33
50	XA381001	2	UPPER SAFETY-DEVICE SUPPORT	SOSTEGNO PROTEZIONE SUPERIORE
51	XA361001	1	UPPER SAFETY-DEVICE	PROTEZIONE SUPERIORE
52	XA351005	1	PROTECTION GRID	PROTEZIONE TRAMOGGIA
53	XA251128	1	COUPLING	ATTACCO ASTA DI REGOLAZIONE
ε				

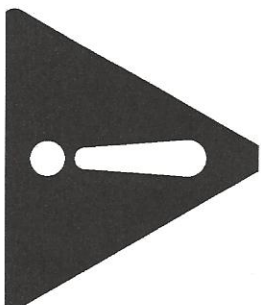
# XA-XL/SPARE PARTS

- XA 150**
- XA 250**
- XA 300**
- XA 400**
- XA 500**



# Series XA

**ATTENZIONE !**  
 THE USE  
 OF ORIGINAL PARTS TO  
 ENSURE THE CORRECT  
 FUNCTIONING  
 OF THE MACHINE.

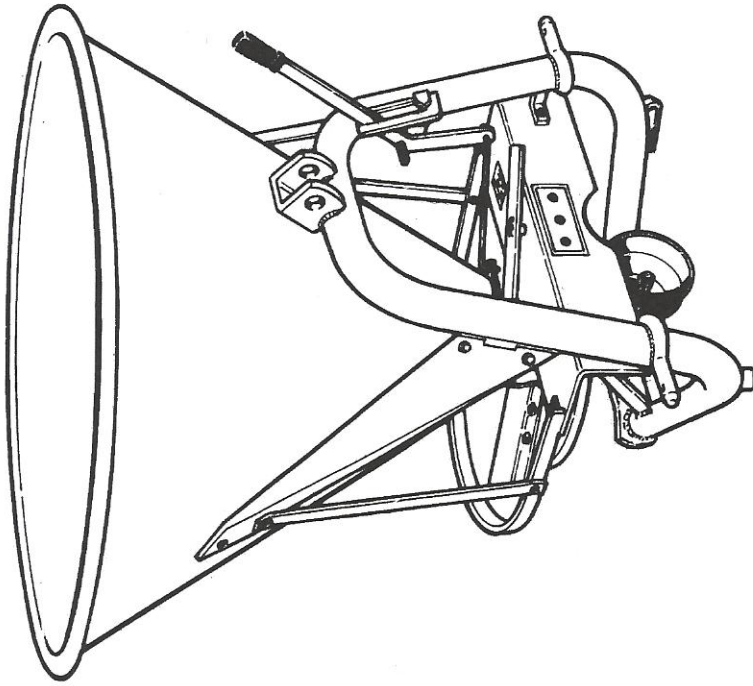


**ATTENZIONE !**  
 PER UN CORRETTO  
 FUNZIONAMENTO DELLE  
 NOSTRE MACCHINE USARE  
 ESCLUSIVAMENTE RICAMBI  
 ORIGINALI

**XA**  
**XL**

XL 250  
 XL 300  
 XL 400  
 XL 500

XA 150  
 XA 250  
 XA 300  
 XA 400  
 XA 500



**SPARE PARTS**