

# Hustler TrimStar Owner's Manual



**HUSTLER®**



*Hustler Turf Equipment*



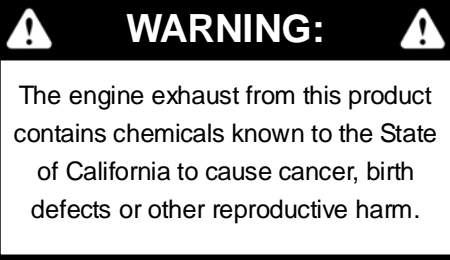
*P.O. Box 7000*



*Hesston, Kansas*



*67062-2097*



**NOTICE OF REQUIREMENT OF SPARK ARRESTER MUFFLER**

This equipment may create sparks that can start fires around dry vegetation. California Public Resources Code Section 4442.6 provides that it is unlawful to use or operate an internal combustion engine on any forest-covered, brush-covered, or grass-covered land unless the engine is equipped with a spark arrester maintained in effective working order. A spark arrester is a device constructed of nonflammable materials specifically for the purpose of removing and retaining carbon and other flammable particles over 0.0232 of an inch in size from the exhaust flow of an internal combustion engine that uses hydrocarbon fuels or which is qualified and rated by the United States Forest Service. Other states or federal areas may have similar laws. The Operator Should Contact Local Fire Agencies For Laws or Regulations Relating to Fire Prevention Requirements. THIS EQUIPMENT DOES NOT HAVE A SPARK ARRESTER AND YOU SHOULD CONTACT YOUR AUTHORIZED HUSTLER DEALER FOR THE PURCHASE OF A SPARK ARRESTER.

**Inspect spark arrester daily; replace every 500 hours or as needed.**

**The Engine Owner's Manual provides information regarding the U.S. Environmental Protection Agency (EPA) and the California Emission Control Regulation of emission systems, maintenance and warranty.**

**Keep Engine Owner's Manual with your unit. Should the Engine Owner's Manual become damaged or illegible, replace immediately. Replacements may be ordered per the information found in the Product Information section of the owner's manual.**

# GENERAL INFORMATION

**This manual applies to the following Hustler equipment lines:**

## **Hustler TrimStar WalkBehinds**

### **To the new owner**

The purpose of this manual is to assist owners and operators in maintaining and operating the Hustler TrimStar WalkBehind mower. Please read it carefully; information and instructions furnished can help you achieve years of dependable service.

A separate Engine Owner's Manual is included with your owner's packet which contains additional engine information that will not be repeated in this manual. You are urged to read it before attempting any operation or repair of the engine.

The decals are designed to give the operator brief information needed in the daily operation and service of the machine. These decals are not intended to be used in place of this manual but instead are to be used as an extension of this manual. These decals should not be removed or obliterated. Replace these decals if they become unreadable.

It is the **owner's responsibility** to make certain that the operators and mechanics read and understand this manual and all decals before operating this machine. It is also the **owner's responsibility** to make certain that the operators and mechanics are qualified and physically able individuals, properly trained in the operation of this equipment. All operators and mechanics must become familiar with the safe operation of the equipment, operator controls and safety signs.

Never let children or untrained people operate or service the equipment. Local regulations may restrict the age of the operator.

**IMPORTANT:** For more detailed maintenance and adjustment information refer to the proper parts manual for your machine. Refer to the "*Product Literature*" section of this manual for ordering information.

The owner/user can prevent and is responsible for accidents or injuries occurring to themselves, other people or property.

### **Using this manual**

General operation, adjustment and maintenance guidance is outlined for both the experienced and novice Hustler user. Operating conditions vary considerably and cannot all be addressed individually. Through experience, however, operators should find no difficulty in developing good operating skills suitable to most conditions.

Directions used in this manual, for example RIGHT or LEFT, refer to directions when in operator position and facing forward, unless otherwise stated.

Photographs and illustrations used were current at the time of printing, but subsequent production changes may cause your machine to vary slightly in detail. Hustler Turf Equipment reserves the right to redesign and change the machine as deemed necessary, without notification. If a change has been made to your machine which is not reflected in this owner's manual, or the parts manual, see your Hustler dealer for current information and parts.

### **Warranty registration**

The Delivery and Warranty Registration form must be completed and signed to validate your warranty protection. As the new equipment owner, you are expected to see that the form is completed and forwarded to Hustler Turf Equipment at time of delivery.

Be sure to register the tractor plus each attachment that displays a model and serial identification number plate with Hustler Turf Equipment.

**IMPORTANT:** Any unauthorized modification, alteration, or use of non-approved attachments voids the warranty and releases Hustler Turf Equipment from any liability arising from subsequent use of this equipment. Do not use or operate any attachment not approved by Hustler Turf Equipment.

### **Model and serial number**

Tractor model and serial numbers are found on the serial identification plate, located on the frame directly below and to the left of the operator's platform behind the tire.

These numbers are required on the Warranty Registration form. They will also assure you of the correct service parts when replacement becomes necessary.

Shown below is an example of a serial identification plate and how to interpret it.

### **Parts and service**

Use original Hustler replacement parts only. These parts are available through your local Hustler dealer. To obtain prompt, efficient service, always provide the following information when ordering parts:

1. Correct part description.
2. Correct part number.
3. Correct model number.
4. Correct serial number.

All warranty repair and service must be handled through an authorized Hustler dealer. Arrangements should be made through your local service center.

**HUSTLER TRIMSTAR WALKBEHIND  
TWO YEAR LIMITED WARRANTY FOR POWER UNITS AND DECKS  
(THREE YEAR LIMITED WARRANTY ON DECK  
SPINDLE BEARING & DECK GAUGE FORK BEARING)**

**WHAT IS COVERED BY THIS WARRANTY**

Hustler Turf Equipment, makes the following warranty to the original purchaser only:

- a. First and Second Year:** Hustler Turf Equipment Tractors and Power Units are warranted for **two (2) years from date of delivery** on all materials and workmanship.

If the Purchaser discovers within this warranty period a defect in materials or workmanship:

- He must promptly notify Hustler Turf Equipment, or an authorized dealer, in writing of the defect. In no event shall such notification be received by Hustler Turf Equipment, or an authorized dealer later than twenty-five (25) months from date of delivery.
- Within a reasonable time after such notification, Hustler Turf Equipment, will correct any defect in material or workmanship on the Hustler Turf Equipment, by repairing or replacing part(s) with either new or used replacement parts.
- Such repair, including parts and labor shall be at the expense of Hustler Turf Equipment, and,

- b. Third Year:** At the conclusion of the two year limited warranty described in paragraph (a) above, there shall be an additional one year limited warranty on deck gauge fork bearings and deck spindle bearings only, **no labor**.

If the Purchaser discovers within this warranty period such a defect:

- He must promptly notify Hustler Turf Equipment, or an authorized dealer, in writing of the defect. In no event shall such notification be received by Hustler Turf Equipment, or an authorized dealer later than thirty-seven (37) months from date of delivery.
- Within a reasonable time after such notification, Hustler Turf Equipment, will provide new replacement bearing to install on the Hustler Turf Equipment.
- The installation of the deck gauge fork bearing and deck spindle bearing shall be at the expense of the owner, and,

- c. Rental Units (90 days):** Within 90 days of date of delivery Hustler Turf Equipment, provides a limited warranty on all materials and workmanship for units used for rental purposes.

If the Purchaser discovers within this warranty period a defect in materials or workmanship:

- He must promptly notify Hustler Turf Equipment, or an authorized dealer, in writing of the defect. In no event shall such notification be received by Hustler Turf Equipment, or an authorized dealer later than 120 days from date of delivery.
- Within a reasonable time after such notification, Hustler Turf Equipment, will correct any defect in material or workmanship on the Hustler Turf Equipment, by repairing or replacing part(s) with either new or used replacement parts.

- Such repair, including parts and labor shall be at the expense of Hustler Turf Equipment, and,

- d. Hustler Turf Equipment** provides a limited warranty **for the entire length of ownership by the original purchaser** for the following item:

- Against all defects in the mowing deck which results in the **front edge of the deck** being bent into the blades.

If the original Purchaser discovers within this warranty period such a defect:

- He must promptly notify Hustler Turf Equipment or an authorized dealer, in writing of the defect. Such notification must be received by Hustler Turf Equipment or an authorized dealer during the period when the equipment is owned by the original purchaser.
- Hustler Turf Equipment will correct any defect in the deck resulting in the front edge of the deck being bent into the blades by repairing or replacing part(s) with either new or used replacement parts.
- Such repair, including parts and labor shall be at the expense of Hustler Turf Equipment, and,

- e. The Kawasaki engine** is covered by a two (2) year limited warranty, by the engine manufacturer, to the original owner (commercial or residential) only, and,

- f. The battery** is covered by a one (1) year limited warranty to the original owner only.

**WHO MUST PERFORM THE WARRANTY SERVICE**

All warranty service will be performed by dealers authorized by Hustler Turf Equipment. **Service calls and/or transportation expense** of the product to and from the authorized dealer, for warranty work, will be paid by the owner of the product. For warranty service contact an authorized dealer or write Hustler Turf Equipment, 200 South Ridge Road, Hesston, Kansas 67062, or call 1-620-327-4911.

**WHAT IS NOT COVERED BY THIS WARRANTY**

Hustler Turf Equipment, does not warranty:

- Some product, components or parts not manufactured by Hustler Turf Equipment
- Repairs made by unauthorized persons
- Damage caused by use of the Hustler Turf Equipment for purposes other than those for which it was designed
- Damages caused by disasters such as fire, flood, wind, and lightning
- Damages caused by neglect, abuse, abnormal use, improper or unreasonable use, accident, negligence or misuse
- Repairs or replacement resulting from the use of unauthorized parts, accessories or attachments
- Damage caused by foam filled or solid filled tires.
- Repairs or replacement as the result if any alterations or modifications, in the determination of Hustler Turf

Equipment, which adversely affects the operation, performance or durability of the equipment.

- Hustler Turf Equipment which has the serial number removed or made illegible
- Depreciation or damage caused by normal wear, lack of reasonable and proper maintenance, failure to follow the product's owner's manual operating, maintenance and adjustment instructions or other operational instructions provided by Hustler Turf Equipment.
- Normal maintenance parts and service including, but not limited to, filters, fuel, lubricants, tune-up parts, belts, blades, blade sharpening, bearings, brake or steering adjustments
- Repairs necessary due to improper fuel, contaminates in the fuel system, or failure to properly prepare the fuel system prior to any period of non-use over three months

### DISCLAIMER OF WARRANTY

The foregoing warranties are in lieu of all other warranties, expressed or implied, including but not limited to the implied warranties of merchantability and fitness for a particular purpose. However, if the Hustler Turf Equipment is purchased as a consumer product, any implied warranty of merchantability or fitness for a particular purpose is limited to the duration of this limited warranty. Some states do not allow limitations on how long an implied warranty lasts, so the above limitation may not apply to you. This warranty gives you specific legal rights, and you may also have other rights which vary from state to state.

### LIMITATION OF REMEDIES

In no case shall Hustler Turf Equipment, be liable for any special, incidental, or consequential damages based upon breach of warranty, breach of contract, negligence, strict liability in tort, or any other legal theory.

Such damages include, but are not limited to:

- Loss of profits
- Loss of savings or revenue
- Loss of use of Hustler Turf Equipment or any associated equipment
- Cost of capital
- Cost of any substitute equipment, facilities, services or downtime
- The claims of third parties including customers, and injury to property

Some states do not allow the exclusion or limitation of incidental or consequential damages, so the above limitation or exclusion may not apply to you.

### TIME LIMIT

Any action for breach of warranty must be commenced within twenty-five (25) months following delivery of the goods in a **residential application**. Any action for breach of warranty must be commenced within 120 days following delivery of the goods in a **rental application**.

### NO OTHER WARRANTIES

Unless modified in writing, signed by both parties, and approved by the President of Hustler Turf Equipment, this agreement is understood to be the complete and exclusive agreement between the parties, superseding all prior agreements, oral or written, and all other communications between the parties relating to the subject matter of this agreement. No employee of Hustler Turf Equipment, or any other party is authorized to make any warranty in addition to those made in this agreement.

### ALLOCATION OF RISKS

This agreement allocates the risks of product failure between Hustler Turf Equipment, and the purchaser. This allocation is recognized by both parties and is reflected in the price of the goods.

### OWNER'S RESPONSIBILITY

You must maintain your Hustler Turf Consumer Product following the maintenance procedures described in your owner's manual. Such routine maintenance, whether performed by a dealer or by you, is at your expense.

**This machine like any other powered equipment is potentially dangerous unless properly operated.** Any operator **must** be cautious and keep safety in mind at all times. Any operator, prior to using the Hustler Turf Equipment, should thoroughly familiarize himself with the owner's manual regarding operation and safety of the machine, as well as all safety warnings on the machine itself.

### WARRANTY REGISTRATION

1. **Dealers must** register the unit on-line at [www.Hustlerdealer.com](http://www.Hustlerdealer.com) or by filling out the Warranty registration form, provided in the owner's packet. If using the Warranty registration form it **MUST** be completed and signed by the authorized dealer and original purchaser.
2. For validation, the completed Warranty registration form **MUST** be forwarded to Hustler Turf Equipment, within ten (10) days following date of purchase.
3. The date of purchase constitutes delivery.



# SAFETY PRECAUTIONS



This safety alert symbol is used to call attention to a message intended to provide a reasonable degree of **PERSONAL SAFETY** for operators and other persons during the normal operation and servicing of this equipment.

**DANGER** – denotes immediate hazards which **WILL** result in severe personal injury or death.

**WARNING** – denotes a hazard or unsafe practice which **COULD** result in severe personal injury or death.

This manual uses two other words to highlight information. **IMPORTANT** calls attention to special mechanical information and **NOTE:** emphasizes general information worthy of special attention.

All operators and mechanics should read this manual, and be instructed about safe operating and maintenance procedures. If the operators or mechanics cannot read and understand English, it is the owner's responsibility to explain this material to them.

**Improper use or maintenance by the operator or owner can result in injury. To reduce the potential for injury, comply with these safety instructions and always pay attention to the safety alert ▲ symbol, which means DANGER or WARNING - "personal safety instructions." Failure to comply with the instructions may result in personal injury or death.**

**Incorrect usage of this machine may result in severe injury. Personnel operating and maintaining it should be trained in the proper use and should read the manuals**

## Safety and Instruction Decals

▲ Specific safety warning decals are located on the equipment near the immediate areas of potential hazards. These decals should not be removed or obliterated. Replace them if they become non-readable.

The following illustrations show the various **safety decals** that are located on the machine. A brief explanation is shown to help the operator understand the meanings of these decals.

**completely and thoroughly before attempting to set-up, operate, adjust, or service this machine.**

The decals are designed to give the operator brief information needed in the daily operation and service of the machine. These decals are not intended to be used in place of this manual but instead are to be used as an extension of this manual. These decals should not be removed or obliterated. Replace these decals if they become unreadable.

- It is the **owner's responsibility** to make certain that the operators and mechanics read and understand this manual and all decals before operating this machine.
- It is also the **owner's responsibility** to make certain that the operators and mechanics are qualified and physically able individuals, properly trained in the operation of this equipment.
- All operators and mechanics must become familiar with the safe operation of the equipment, operator controls and safety signs.
- Never let children or untrained people operate or service the equipment. Local regulations may restrict the age of the operator.
- The owner/user can prevent and is responsible for accidents or injuries occurring to themselves, other people or property.
- The owner should also ensure that the operator/mechanic know that they are responsible for their own safety as well as the safety of other persons within the vicinity. **Remember**, the operator is responsible for accidents or hazards occurring to other people or their property.



Part Number 601931

**WARNING:**  
Thrown objects!

- Always maintain a safe distance from people and pets when mowing.
- Always stop machine if someone enters the area.
- Inspect area to be mowed for hazards such as rocks, metal objects and other debris which may be thrown or entangled by mower blades. Remove these objects before mowing.



**Read Owner's Manual and decals before attempting to operate this machine.**



Part Number  
779280CE

**WARNING:**  
Hot surface!

- Avoid skin contact with hot surface



Part Number  
601967

**WARNING:**  
Fire!

- Clean flammable material from machine. Prevent fires by keeping engine compartment, top of deck, exhaust area, battery, fuel line, fuel tank and operator's station clean of accumulated trash, grass clippings, and other debris. Always clean up spilled fuel and oil.



Part Number  
601796

**WARNING:** Thrown objects

- Never operate the mower deck with side deflector damaged, altered, removed or in raised position, except when the entire grass catcher attachment or mulching system is being used.



Part Number 601787

**DANGER:**  
Rotating blades, pulleys & belts!



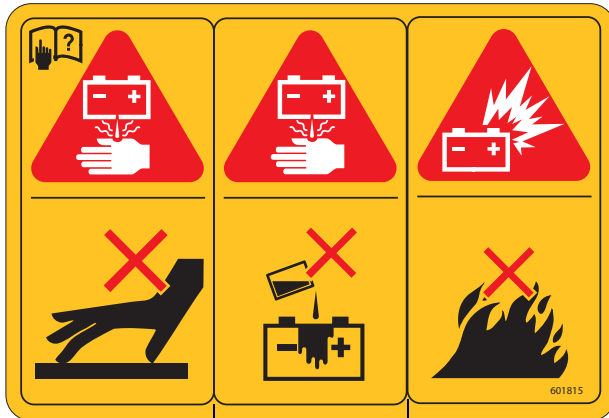
- Keep shields and covers in place while machine is in operation
- Keep hands, feet and clothing away from rotating pulleys, belts and blades.

**DANGER:**  
Battery Hazards!



- Do not smoke while refueling.
- Do not remove the fuel tank cap or fill with engine running or while the engine is hot.
- Allow engine to cool before storing machine inside a building.
- Store away from open flame or spark.
- Clean up any gasoline spills.
- Do not refuel while in enclosed trailer or other enclosed areas.

Part Number  
601815



- Avoid skin contact with battery acid.

- Do not overfill battery.
- Electrolyte may overflow and damage paint, wiring or structure. When cleaning the battery, use soap and water into the battery. Use soda mixed in water to clean corrosion off the terminals.
- Always wear eye protection when checking the battery, acid can cause serious injury to skin and eyes. If contact occurs, flush area with clean water and call physician immediately. Acid will also damage clothing.

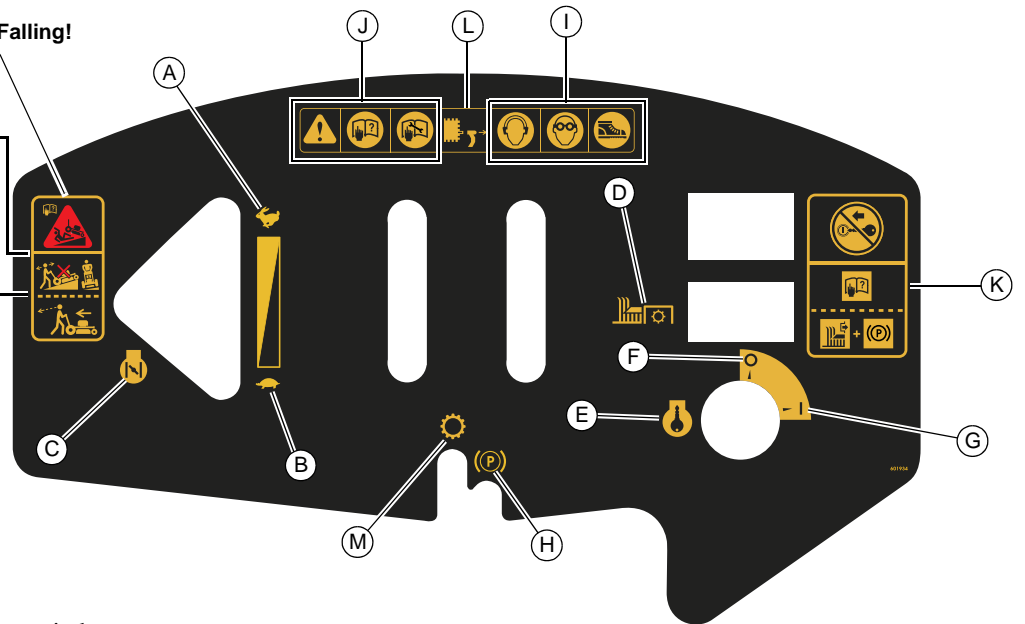
- Do not allow open flame near the battery when charging.
- Hydrogen gas forms inside the battery. This gas is both toxic and flammable and may cause an explosion if exposed to flame. Always remove the negative ground first and replace it last.



**WARNING: Falling!**

- Go across slopes, not up and down.
- Never operate the machine on a slope from a position below the mower.
- Before and while backing, look behind and down for small children and obstacles.

**Part Number  
601934  
(recoil start)**

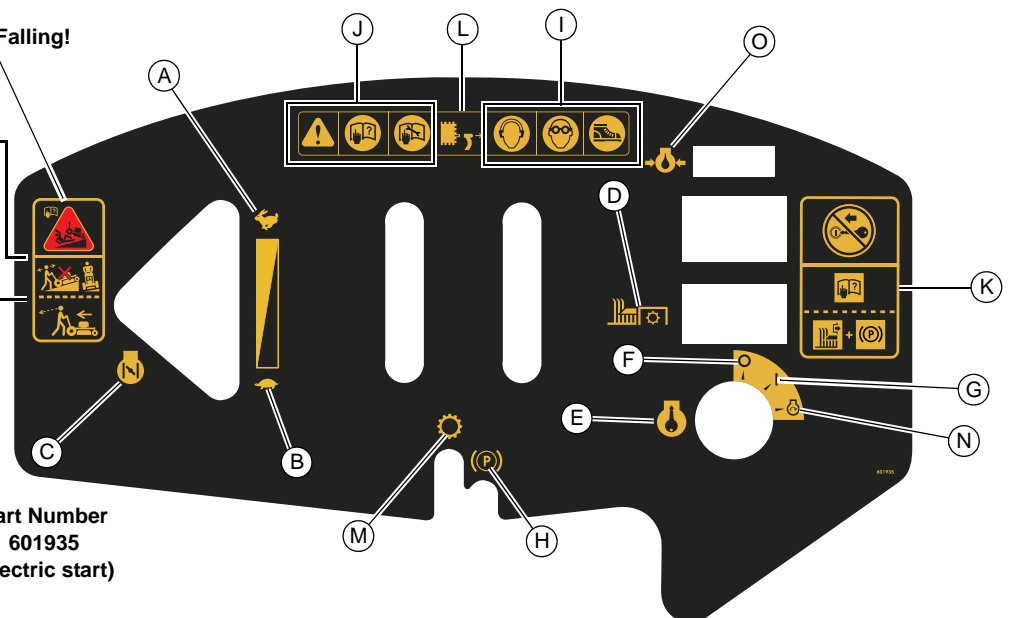


- A. Fast
- B. Slow
- C. Choke
- D. Mower blade engage/disengage switch
- E. Ignition switch - insert key
- F. OFF
- G. ON
- H. Neutral lock lever locked/park brake engaged
- I. Wear ear protection, eye protection and safety shoes when operating this equipment.
- J. Read Owner's Manual before attempting to operate this machine. Read Owner's Manual before attempting to service this machine.
- K. Before starting the engine:
  - Read Owner's Manual
  - Disengage mower blades
  - Place neutral lock lever in locked position
- L. Disconnect spark plug before servicing
- M. Neutral lock lever unlocked
- N. Engine start position
- O. If warning light comes on, check engine oil

**WARNING: Falling!**

- Go across slopes, not up and down.
- Never operate the machine on a slope from a position below the mower.
- Before and while backing, look behind and down for small children and obstacles.

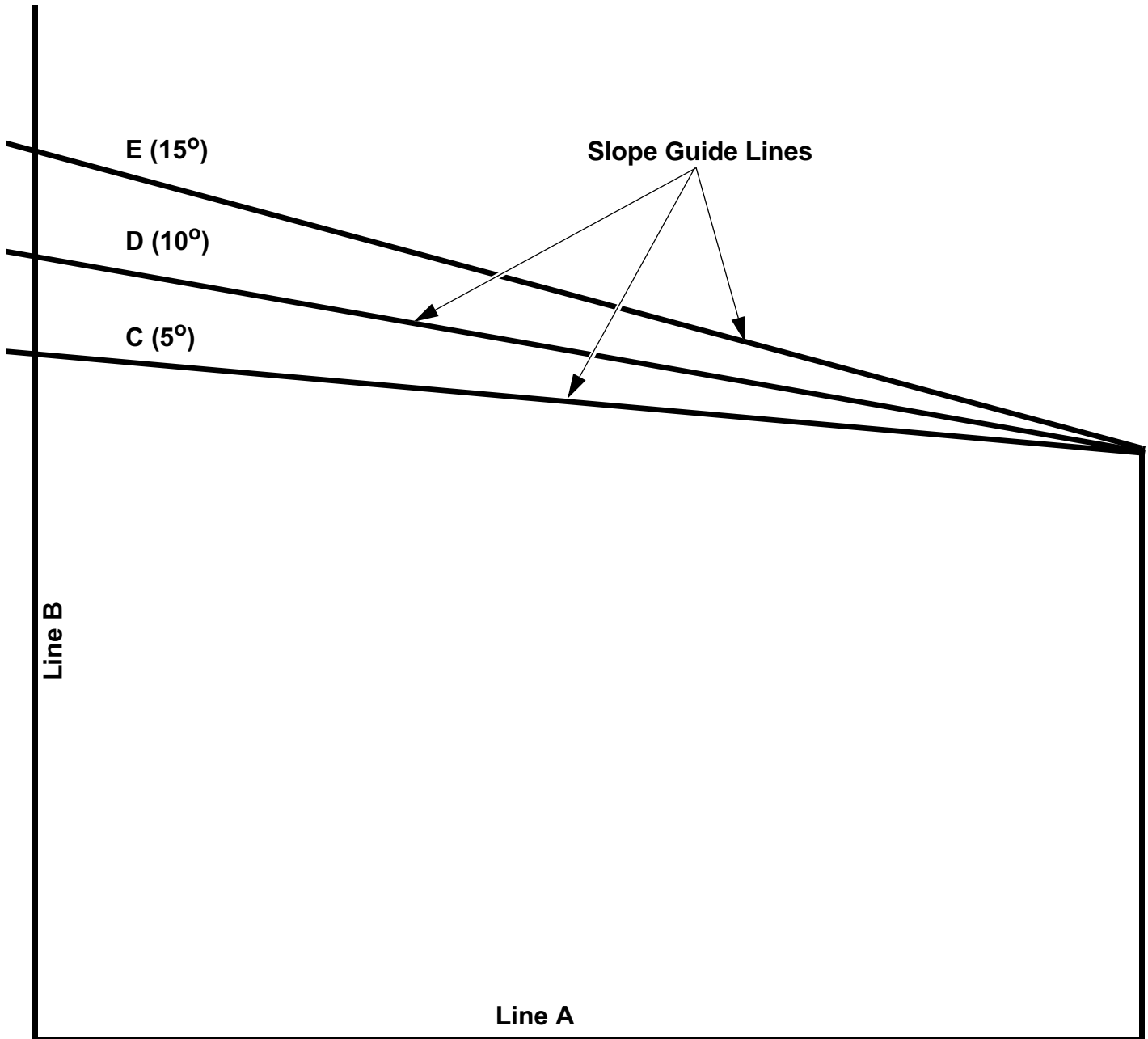
**Part Number  
601935  
(electric start)**





# SLOPE GUIDE

Use this diagram when determining the degree of slope to be mowed.



1. Hold this sheet of paper in front of you. Make sure that Line A is horizontal.
2. Align Line B with a vertical surface such as pole, tree or building.
3. Fold the paper along the slope guide lines (C, D or E).
4. Align the closest slope guide line with the ground slope. This will give you a close estimation of the ground slope



# OPERATION

## Safe Operating Practices

This product is capable of amputating hands and feet and throwing objects. Always follow all safety instructions to avoid serious injury or death.

## Operation

- ▲ Evaluate the terrain to determine what accessories and attachments are needed to properly and safely perform the job. Only use accessories and attachments approved by the manufacturer.
- ▲ Never leave a running machine unattended. Park the machine on level ground. Always disengage deck clutch, place H-bar steering in neutral, move neutral lock/park brake lever to the park brake position, stop engine, and remove ignition key when leaving the unit. Wait for engine and all moving parts to come to a complete stop before leaving the machine for any reason including emptying the catcher or unclogging the discharge chute.
- ▲ **If you lose steering control while operating the machine, place the neutral lock/park brake lever in the park brake position immediately. Inspect the machine and involve your Hustler dealer to resolve the problem before continuing to operate.**
- ▲ Do not change the engine governor setting or overspeed the engine. Operating the engine at excessive speed may increase the hazard of personal injury.
- ▲ Always keep safety shields and covers in place, except for servicing.
- ▲ Always maintain a safe distance from people and pets when mowing. Always stop machine if someone enters the area.
- ▲ Always operate machine in daylight or with adequate working lights.
- ▲ Follow daily and weekly checklists, making sure hoses are tightly secured and bolts are tightened.
- ▲ Always observe traffic laws while driving machine from one location to another. Watch for traffic when operating near or crossing roadways.
- ▲ Always keep engine and machine clean, removing accumulated dirt, trash and other material from machine. Clean up oil or fuel spillage. Allow machine to cool before storing.
- ▲ Inspect area to be mowed for hazards such as rocks, metal objects and other debris which may be thrown or entangled by mower blades. Remove these objects before mowing.
- ▲ Always be alert for hazards such as rocks, metal objects and other debris which may be thrown or entangled by mower blades. Watch out for holes or deep depressions.
- ▲ Always wear adequate ear protection, such as earplugs, when operating this equipment as prolonged exposure to uncomfortable or loud noises can cause impairment or loss of hearing. Do not wear radios or music headphones while operating the machinery. Safe operation requires your full attention.
- ▲ Do not operate the equipment while wearing sandals, tennis shoes, sneakers, shorts or any type of loose fitting clothing. Do not use a towel as a headband or neck wrap and do not hang towel from the waist. Long hair, loose clothing or jewelry may get tangled in moving parts. Always wear long pants, safety glasses, ear protection and safety shoes when operating this machine.
- ▲ Always wear safety goggles or safety glasses with side shields when operating the mower.
- ▲ Always inspect machine for damage after striking a foreign object. If damage is found, repair machine immediately. Be sure to stop on level ground, disengage deck clutch, place H-bar steering in neutral, place the neutral lock/park brake lever in the park brake position, stop engine, and remove ignition key when leaving the unit. Wait for engine and all moving parts to come to a complete stop before leaving the machine for any reason.
- ▲ Always be aware of what is behind the machine before backing up.
- ▲ Never rotate forward suddenly on H-bar handle while the machine is in rearward motion.
- ▲ When traveling in reverse, rotate handle forward gently and avoid sudden movement. Rapid movement of the handle in either direction could result in a reaction of the tractor that can cause serious injury.
- ▲ Never operate a poorly maintained machine.
- ▲ Never attempt high speed maneuvering, especially in crowded or congested areas.
- ▲ Never allow persons to operate this machine without proper instruction or allow children to operate machine. Allow only responsible adults who are familiar with these instructions to operate this machine.
- ▲ Never put hands or feet under any part of the machine while it is running.
- ▲ Never carry passengers. They can be stuck by foreign objects or fall off machine and be seriously injured. They can interfere with the safe operation of the machine.
- ▲ Never direct discharged material toward anyone. Avoid discharging material against a wall or obstruction. Material may ricochet back toward the operator. Always disengage the blades and wait for them to stop before crossing gravel drives, walks or roads. Do not operate the mower without either the entire mulching system or the entire grass collection system in place.
- ▲ Always disengage the blades and wait for them to stop before crossing gravel drives, walks or roads.
- ▲ Always keep clear of the mower blades during their operation.
- ▲ Slow down before turning.
- ▲ Stop the engine before removing the grass catcher or unclogging the discharge chute. Never clear the discharge chute with the engine running. Turn off the engine and be sure the blades have stopped before cleaning. Disconnect the spark plug wires from the spark plugs before cleaning, being careful not to touch the hot engine or muffler. Use a stick to clear a plugged discharge area. **Never use your hand!**

- ▲ Do not operate the machine if you are fatigued, sick or while under the influence of alcohol or drugs, you are pregnant or under 18 years old. Local regulations may restrict the age of the operator.
- ▲ Exercise caution when loading or unloading the machine onto a trailer or truck.
- ▲ Data indicates that operators, age 60 years and above, are involved in a large percentage of riding mower-related injuries. These operators should evaluate their ability to operate the mower safely enough to protect themselves and others from serious injury.
- ▲ If any attachment or additional weight is mounted on the rear of the unit, any sudden movement of the H-bar handle could cause the front of mower to come off of the ground resulting in possible loss of control and serious injury.
- ▲ The use of any other manufacturer's attachments, including stand-up sulkies, increases the risk of operator injury, therefore, extreme caution must be exercised when using these devices.
- ▲ **Never cover the machine with a tarp or cover of some type until the engine and muffler have cooled.**
- ▲ **Clean flammable material from machine. Prevent fires by keeping engine compartment, exhaust area, battery (if applicable), fuel line and fuel tank clean of accumulated trash, grass clippings, and other debris. Always clean up spilled fuel and oil.**

## Slope operation

**Slopes are a major factor in loss-of-control and tip-over accidents, which can result in severe injury or death. All slopes require extra caution. If you cannot back up the slope or if you feel uneasy on it; do not mow it.**

- ▲ Use extreme caution when operating on slopes.
  - Be extremely careful changing directions on a slope. Slow down.
  - Do not operate where the machine could slip or tip.
  - Do not operate the TrimStar on slopes when using a stand-up sulky.
- ▲ Always be sure of your footing. Keep a firm hold on the H-Bar handle and walk - never run.
- ▲ Block or chock the machine when parked on a slope or when trailering.
- ▲ Watch for holes, ruts or bumps. Uneven terrain could overturn the machine. Tall grass can hide obstacles.
- ▲ Remove obstacles such as rocks, tree limbs, etc.
- ▲ Keep all movement on slopes slow and gradual. Do not make sudden changes in speed or direction.
- ▲ Avoid starting and stopping on a slope. If tires lose traction, disengage the blades and proceed slowly straight down the slope.
- ▲ Never operate the machine on a slope from a position below the mower.
- ▲ Do not mow on wet grass. Reduced traction could cause sliding which can cause the operator to slip and fall.
- ▲ The Hustler mower is capable of operating horizontally (traverse) on moderately steep slopes. When operating on slopes up to 15 degrees, be aware of any conditions that may cause the tractor drive tires to lose traction resulting

in a possible loss of control of the machine. An operator should not operate on a slope until he is thoroughly familiar with the equipment.

**Do not operate on slopes greater than 15 degrees.** Refer to Slope Guide, page 3-5, when determining the degree of slope to be mowed.

It is strongly recommended that the operator drive the machine off of the slope, using extreme caution, if any sign of loss of traction is detected. Wait until the condition that caused the problem is resolved before attempting to operate on the slope again.

Terrain conditions can affect traction resulting in possible loss of control of the machine. Some of the conditions to be aware of are:

1. Wet terrain
2. Depressions in the ground; i.e. holes, ruts, washouts
3. Mounds of dirt
4. Soil type; i.e. sand, loose dirt, gravel, clay
5. Grass type, density, and height
6. Extremely dry conditions of grass
7. Tire pressure

The attachments mounted to the mower will also affect the way it handles on a slope. Be aware that each attachment's characteristics vary.

Another consideration to safe mowing on slopes is to be aware of what is located at the bottom of the slope. Extreme caution should be used when there is a hazard located at the bottom of the slope. Some examples are:

1. Water; i.e. lake, river
2. Cliffs, retaining walls
3. Roads, highways
4. Buildings
5. Rocks

These are just a few examples of situations when caution must be used when operating on a slope. There are many other possibilities too numerous to mention. Just remember to always exercise extreme caution when operating on any slope.

## Children

**Tragic accidents can occur if the operator is not alert to the presence of children. Children are often attracted to the machine and the mowing activity. Never assume that children will remain where you last saw them.**

- ▲ Never leave machine unattended with ignition key in switch, especially with children present.
- ▲ Children or bystanders may be injured if they move or attempt to operate the mower while it is unattended. Always disengage deck clutch, place H-bar steering in neutral, move neutral lock/park brake lever to the park brake position, stop engine, and remove ignition key when leaving the unit.
- ▲ Keep children out of the mowing area and under the watchful care of a responsible adult other than the operator.
- ▲ Be alert and turn the machine off if children enter the area.
- ▲ Before and while backing, look behind and down for small children.

- ▲ Never carry children, even with the blades off. They may fall off and be seriously injured or interfere with safe machine operation.
- ▲ Never allow children to operate the machine.
- ▲ Use care when approaching blind corners, shrubs, trees, the end of a fence or other objects that may obscure vision.

## Controls

**A. Ignition switch (Fig. 3-1) — (Recoil start)** a two position switch: off and run. With key inserted, rotate it clockwise to RUN position.

**(Electric start)** a three position switch: off, run, and start. With key inserted, rotate it clockwise to START position; release key when engine starts, and switch will automatically return to the RUN position.

**B. Throttle control (Fig. 3-1) —** a cable is linked to engine throttle for controlling engine speed. Move lever forward to increase engine rpm, move lever rearward to decrease engine rpm.

**C. Choke control (Fig. 3-1) —** a cable is linked to manually operate the engine choke. When the knob is in the down position, the choke is in the off (run) position. When the knob is pulled up, the choke is in the on (start) position. Do not operate the machine in the on (start) position.

**D. H-Bar handle (Fig. 3-2) —** this handle controls the unit's acceleration, speed, steering direction and dynamic braking.

**E. Deck clutch switch (Fig. 3-1) —** this switch engages the deck. Pull the switch up to engage and push switch down to disengage the clutch.

**IMPORTANT:** Never engage clutch with engine running at high rpm or when the deck is under load. Clutch, belts or deck could be damaged.

**F. Neutral lock/park brake lever (Fig. 3-1) —** when this lever is in the neutral lock/park brake position, the transaxles are in neutral and the unit will not move. Moving the lever out of the neutral lock/park brake position and forward engages the transaxles and allows the H-bar handle to be rotated.

**G. Operator presence control levers (Fig. 3-2) —** engages the operator presence switches. If the switch is not engaged the unit will not operate. Refer to the Safety Interlock system for more information.

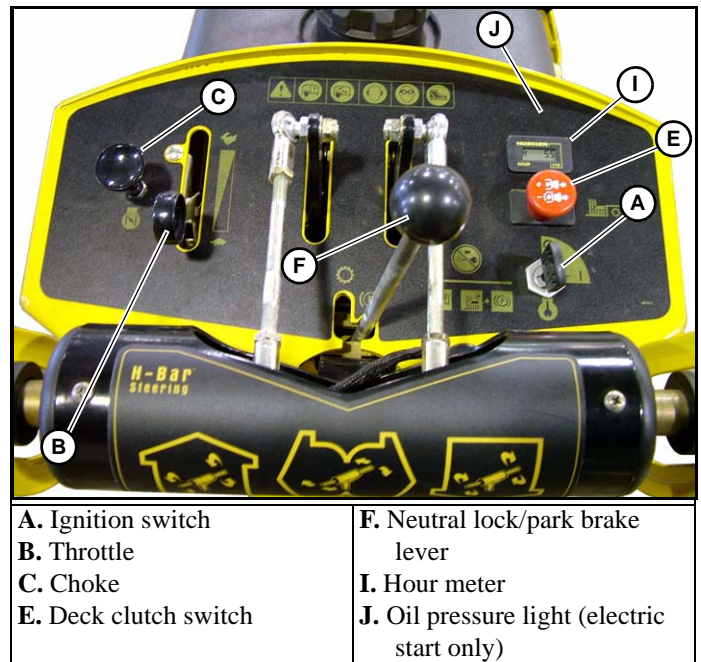
**H. Deck lift lever (Fig. 3-3) —** the deck lift lever is used to raise or lower the deck. Pull rearward on the lever to raise the deck and then place the deck height locking pin into the desired cutting height hole.

Pull the deck lift lever to raise the deck when going over obstructions.

## Instrumentation

**I. Electronic hour meter (Fig. 3-1) —** registers 1/10 hour increments up to 9,999.9 total hours. Connected to the ignition switch, the meter records the accumulative time while the ignition key is switched to the RUN position.

**J. Oil pressure light (Model 929723) (Fig. 3-1) —** this light comes on when the ignition switch is placed in the RUN position and stays lit until the engine is running and a safe oil pressure is developed. If light comes on during



**Fig. 3-1**

operation, shut engine off immediately and locate and correct the problem.

## Safety start interlock system

The unit is equipped with a safety interlock system consisting of the neutral lock switch, operator presence control lever switches and deck clutch switch. Fig. 3-2

**Check the safety interlock system daily, prior to operation.**

This system is an important safety feature. It should be repaired immediately if it malfunctions. The machine incorporates two operator presence control switches which will stop the tractor engine when the operator releases both of the operator presence control levers for any reason while the tractor is operating. However, if only one operator presence control lever is released, the unit will continue to operate. This is a safety feature designed to prevent runaway or accidental entanglement. To inspect the system:

1. Place the H-bar lever in the neutral position, move neutral lock/park brake lever to the park brake position (Fig. 3-4), and move deck clutch switch to the disengaged (down) position.
2. Start the engine and allow it to warm up to operating temperature.
3. With the neutral lock/park brake lever in the unlocked position (Fig. 3-5) and/or the deck clutch switch engaged (up position), slowly release both operator presence control levers. **The engine should stop within a few seconds.**
4. Place the neutral lock/park brake lever in the park brake position and the deck clutch switch disengaged (down) position. **The engine should continue to run without the operator presence control switches engaged.**
5. **If the engine fails to stop** when the deck clutch switch is engaged or the neutral lock/park brake lever is unlocked and both operator presence control levers are released, check the function of the operator presence control switches. If these switches are not operating properly (not

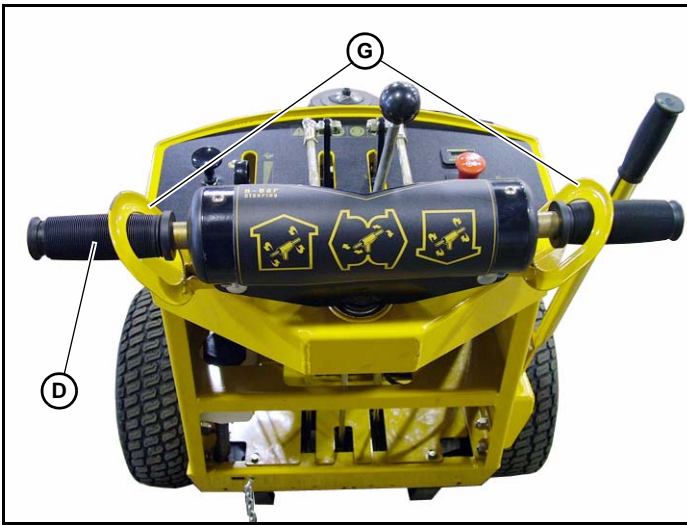


Fig. 3-2

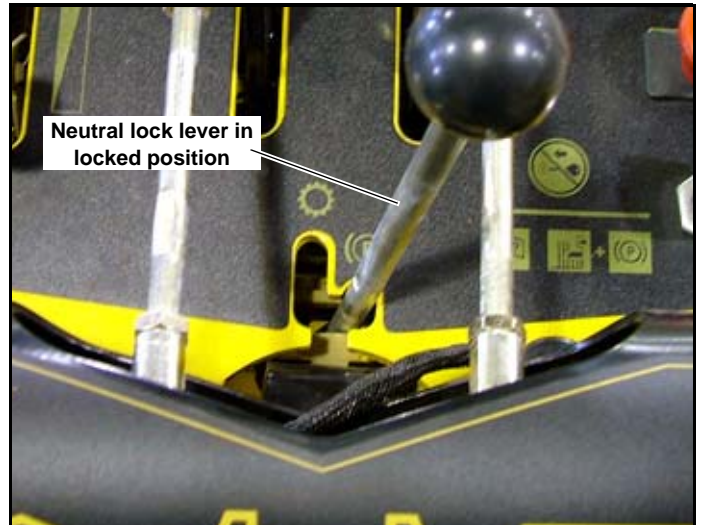


Fig. 3-4

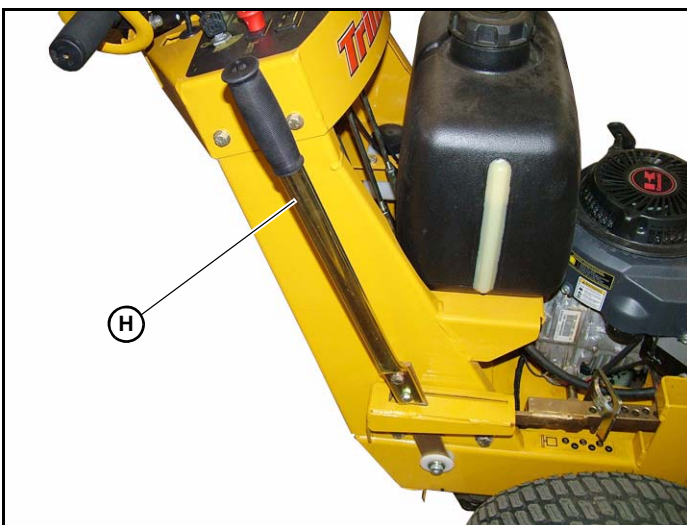


Fig. 3-3

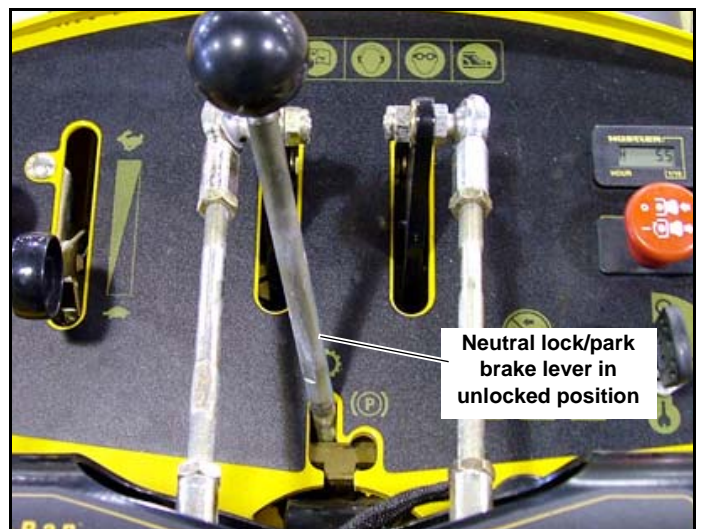


Fig. 3-5

opening or closing) contact your Authorized Hustler Dealer.



**WARNING:** The safety interlock system should always function per steps 4 and 5. If it does not function properly, it should be corrected immediately. Do not operate machine without properly functioning operator presence control switches.

### Engine starting

The TrimStar safety interlock system is also designed to protect the operator and others from accidental injury due to unintentional engine starting. The engine will not start until:

- A. Neutral lock/park brake lever is in the park brake position. Fig. 3-4
- B. Deck clutch switch is in the disengaged (down) position.



**WARNING:** The safety interlock system must not be disconnected or bypassed.

**NOTE:** The machine is equipped with operator presence control switches. If for any reason the operator should release

both of the operator presence control levers when the neutral lock lever is unlocked (Fig. 3-5) or the deck clutch switch is engaged (up position), the engine will stop.



**DANGER:** On recoil start units only, the operator presence lever/switches should never be engaged when starting the unit. When the operator presence switches are engaged, they override the neutral lock lever and the deck clutch interlock system. Severe personal injury could result when starting the unit if the operator presence switches are engaged.

The following steps are the correct procedures for starting the engine. If difficulty is encountered, contact the Authorized Hustler Dealer in your area.

1. Before starting tractor each day, perform daily pre-operation checking.
2. Make sure the neutral lock lever is in the locked position and deck clutch switch is disengaged (down position).
3. Use choke when engine is cold, or if warm engine fails to start within 5 seconds of cranking. Avoid flooding and



operate engine without choking as soon as possible. Set throttle at approximately 1/2 open position.

**NOTE:** If the ambient temperature is below 50°F (10°C), disengage the cold weather pump clutch before attempting to start the engine. Refer to the Cold Weather Pump Clutch section for more information.

4. **Recoil start only** - Insert key in ignition switch and rotate full clockwise. Pull engine recoil start rope.  
**Electric start only (Model 929273)** - Insert key in ignition switch and rotate full clockwise to engage starting motor. Release key when engine starts.  
**IMPORTANT:** The engine starter should not be operated for periods longer than 30 seconds at a time. An interval of at least two minutes should be allowed between such cranking periods to protect the starter from overheating and burn-out.
5. Perform test to make sure safety interlock system is operating properly. Refer to Safety interlock system section.
6. Allow the engine to idle a few minutes before advancing the throttle and engaging the clutch. Press operator's presence control levers and rotate the H-bar slowly forward.
7. Before stopping the engine, place the H-bar handle in the neutral position, set neutral lock lever in the locked position, disengage the deck clutch, and throttle back to 1/2 throttle for a couple of minutes; then rotate ignition key counter-clockwise to the OFF position. Remove the key from switch before leaving the tractor.



**WARNING:** Never leave the machine unattended with key in ignition switch.

### Cold weather pump clutch

The TrimStar is equipped with a pump clutch that disengages the pump clutch belt. When the belt is disengaged, the engine will start easier in colder temperatures.

**To disengage** the pump clutch, **pull the chain** (Fig. 3-6) until the tension is released from the pump drive belt and latch in the slot. Fig. 3-6

**To engage** the pump clutch, with H-bar locked in neutral, release the chain from the latching slot. **NOTE:** When engaged the spring should be extended to a dimension of 5.4" – 6.4" (13.7cm – 16.3cm). Fig. 3-7

**Never operate the unit with the pump clutch partially engaged.** Make sure the clutch is completely released and the chain has slack.

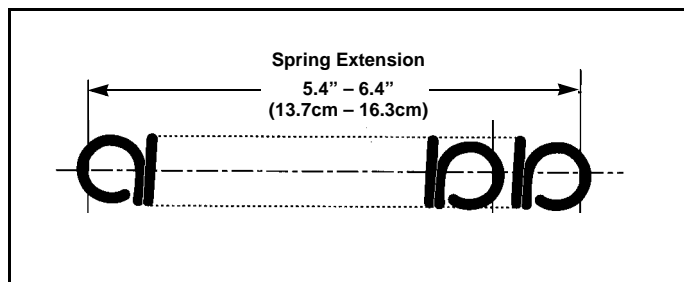


Fig. 3-7

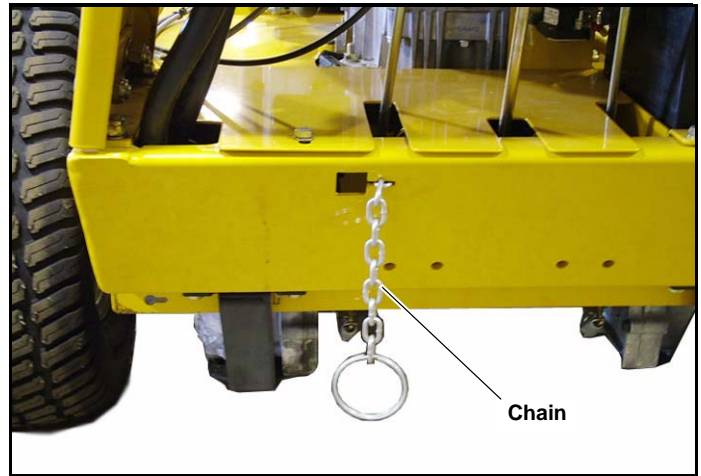


Fig. 3-6

### Moving tractor with stalled engine

If it becomes necessary to move the unit when the engine is inoperative, the transaxles are equipped with bypass valves. Before moving the unit, pull out on the bypass valve rods and slide them into the slot to lock in position. Fig. 3-8

Do not tow the machine. Move it by hand or use a winch to load on a trailer for transporting.

When transporting on another vehicle, the unit must be tied down to the transporting vehicle.

**IMPORTANT:** Always make certain the two bypass valves are returned to their operating position before running the unit following repairs.

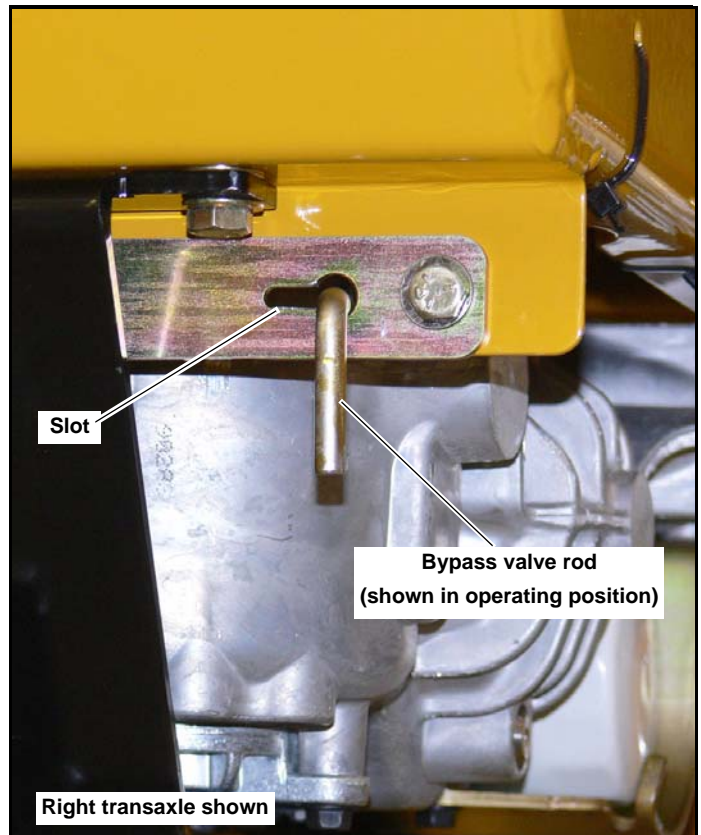


Fig. 3-8

# HUSTLER

## Bar Steering

FRONT OF UNIT FACES THIS DIRECTION



Fig. 3-9

### Steering the unit



**DANGER:** Never make sudden stops or reverse direction, especially when operating on a slope. The steering is designed for sensitive response. Rapid rotation of the H-bar handle in either direction could result in a reaction of the tractor that can cause serious injury.

After starting engine, place the neutral lock lever in the unlocked position (Fig. 3-5) and steer as follows:

**To go forward**, rotate H-bar handle forward. (Fig. 3-9)

**To go in reverse**, rotate the H-bar handle to the neutral position. After achieving neutral, rotate lever rearward. (Fig. 3-9)

**To turn left**, rotate the H-bar handle to the left and out of the neutral position. (Fig. 3-9))

**To turn right**, rotate the H-bar handle to the right and out of the neutral position. (Fig. 3-9)

**To zero turn**, rotate H-bar handle the direction desired with the handle in the neutral position. This will allow the drive wheels to counter-rotate. (Fig. 3-9)

**To stop or decrease speed**, move H-bar handle to neutral. When going forward rotate handle rearward gently. When going in reverse rotate handle forward. (Fig. 3-9) When traveling in reverse rotate handle rearward gently and avoid sudden movement. Any sudden movement could cause the front of the mower to come off of the ground resulting in possible loss of control.

**To increase speed**, rotate the H-bar handle's distance further from neutral. The farther the H-bar handle is rotated forward from neutral, the faster the unit will travel forward. The farther the H-bar handle is rotated rearward from neutral, the faster the unit will go in reverse.

### Operating suggestions



**DANGER:** Prior to operating the unit the operator should be thoroughly familiar with the proper use and operation of the equipment, should have read the manual completely and thoroughly, and should have attempted slow moving maneuvers to become familiar with the operation of the equipment before attempting normal speed operation. An untrained and inexperienced operator should not mow on slopes or on uneven terrain.



**WARNING:** Do not operate the equipment while wearing sandals, tennis shoes, sneakers, shorts or any type of loose fitting clothing. Always wear long pants, safety glasses and safety shoes when operating this machine.



**WARNING:** The unit's H-bar handle is very responsive: Easy does it! For smooth operation, rotate handle slowly, avoid sudden movement. Skill and ease of operation come with practice and experience.

Inexperienced operators may have a tendency to oversteer and lose control. Slow-moving practice maneuvers are recommended to become familiar with these characteristics before attempting normal speed operation.



**WARNING:** Sharp depressions or raised obstacles (such as gutters or curbs) should not be directly approached at high speed in an attempt to "jump" them as the operator could lose control of the equipment. If the depression or obstacle can not be avoided, approach at a slow speed and angle one drive wheel at the obstruction. Continue at an angle until the wheel clears and then pivot the opposite wheel around.

The following list is not all inclusive.

When turning on soft wet turf, keep both wheels rolling either

forward or backward. Pivoting on one stopped wheel can damage turf. This is especially important when mowing.

Unit performance is maximum when the throttle is set at full rpm. This gives maximum power to the drive wheels and deck when needed. Use the H-bar handle to control ground speed rather than engine rpm.

The safety interlock system is designed to shut the engine off if the operator releases the operator presence control levers when the neutral lock/park brake lever is unlocked or the deck clutch lever is engaged.

When operating the TrimStar on slopes, the operator should mow traversing the slope. The operator should stay more on the uphill side of the unit when mowing.



**WARNING:** To check a slope, attempt to back up it. If the unit can back up the slope without the operator and drive wheels slipping, reduce ground speed and proceed with caution.

For additional safety issues regarding slope mowing refer to the Safety section of this manual.

**Keep blades sharp.** Many professional mowing companies have additional sets of blades and change blades twice a day: once in the morning and again at noon. **Many problems** with incorrect cutting patterns **are due to dull blades** or blades which have been **sharpened incorrectly**. Information on sharpening blades is listed in this manual's maintenance section. In addition, most communities have individuals or companies which specialize in sharpening mower blades. **Blade sharpness should be checked daily.**

**Use high blade speed.** Your Hustler TrimStar is designed to operate at full throttle. The throttle setting directly controls blade speed. The highest blade speed generally gives best cut.

**Direct grass discharge to right, away from unmown area.** Select a mowing pattern that directs grass discharge towards the outside, not towards center, of mowing area. Generally, this means using a pattern utilizing **left turns** because side discharge (Fig. 3-10) is to **right**. In any case, avoid throwing grass discharge onto unmowed area because grass is then mowed "twice". Mowing twice puts an unnecessary load on the unit and reduces mowing efficiency.



**WARNING:** Never direct discharged material toward anyone. Avoid discharging material against a wall or obstruction. Material may ricochet back toward the operator. Always disengage the blades and wait for them to stop before crossing gravel drives, walks or roads. Do not operate the mower without either the entire mulching system or the entire grass collection system in place. Fig. 3-10



**WARNING:** Never operate the mower deck with discharge chute removed or in raised position.

**Avoid sudden turns on wet turf.** This can damage turf unnecessarily.

Always check area to be mown for rocks and other debris before mowing.



Fig. 3-10

## Deck cutting height adjustment

Deck height is adjustable from 1-1/2" - 4-1/2" (3.81 cm - 11.43 cm) in 1/4" (.64 cm) increments. The holes in the height adjusting bar are spaced at 1/2" (1.27 cm) intervals. By turning the height adjusting stop around, 1/4" (.64 cm) increments can be attained due to the 1/4" (.64 cm) plate that is part of the stop. Fig. 3-11

**EXAMPLE:** When the height adjusting stop is placed in the 1-1/2" (3.81 cm) hole, **with the 1/4" (.64 cm) plate facing to the front of the unit**, the cutting height is at 1-1/2" (3.81 cm). When the height adjusting stop is placed in the 1-1/2" (3.81 cm) hole, **with the 1/4" (.64 cm) plate on the operator's side of the hole**, the cutting height is at 1-3/4" (4.45 cm).

Move the deck lift lever to the transport position slot when the unit is in the transport mode. Fig. 3-12

## Mower deck operation



**DANGER:** Never attempt to make any adjustments to the mower deck while the engine is running or with the deck drive clutch engaged. Mower blades cannot be seen and are located very close to deck housing. Fingers and toes can be cut off instantly.

With the engine running, engage the deck clutch switch (Fig. 3-1) and advance engine throttle to full rpm.

**NOTE:** Engaging the deck clutch at high engine rpm or when under heavy load (in tall grass for example) can cause belts and/or electric clutch to slip, resulting in premature wear or possible damage.

## Stand-up sulkies

**Hustler Turf Equipment does not warrant or accept liability for the use of any attachments not manufactured by Hustler Turf Equipment, including the use of standup sulkies.**

All manufacturer's safety instructions issued with any attachments including stand-up sulkies must be followed.



**WARNING:** Never operate the TrimStar on slopes when using a stand-up sulky.



**WARNING:** The use of any other manufacturer's attachments, including stand-up sulkies, increases the risk of operator injury, therefore, extreme caution must be exercised when using these devices.

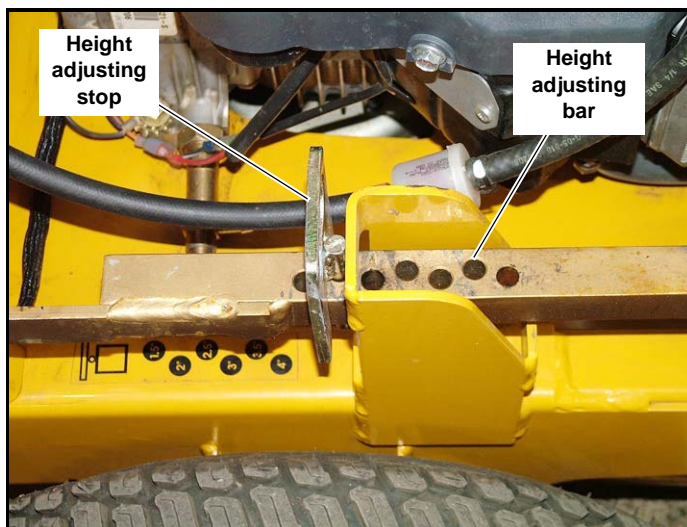


Fig. 3-11

### Anti-scalp wheels

Anti-scalp wheel kits are standard on some TrimStar units. These anti-scalp wheels are designed to minimize scalping when mowing on rough, uneven terrain.

After setting the cutting height, adjust the anti-scalp wheels so they extend below the deck but **do not contact the ground**. They should always be at least 1/4" to 3/4" (6.35mm to 19.05mm) below the deck. With the unit sitting on a flat level surface, the wheel position can be adjusted up or down as needed from 3/4" to 1-3/4" (19.05mm to 44.45mm) below the blade surface. Move the wheels up or down, in 1/2" (12.70mm) increments, using the different axle mount holes in the wheel mount bracket. Fig. 3-13

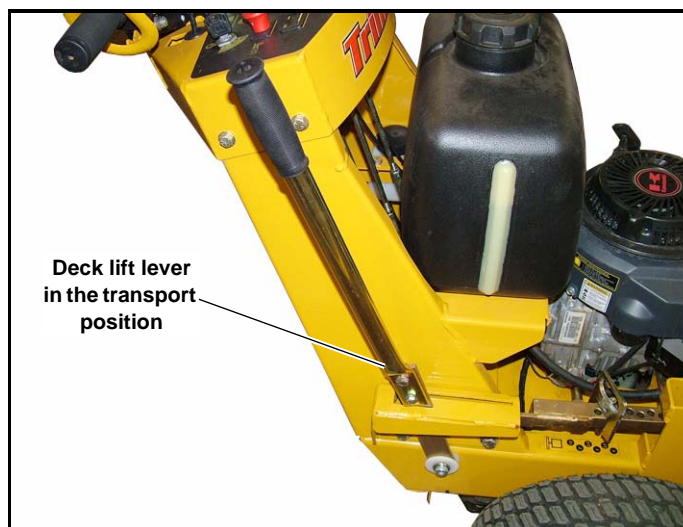


Fig. 3-12

When adjusting the rear anti-scalp wheels, the wheel should be in the same axle mount hole as the front anti-scalp wheels.

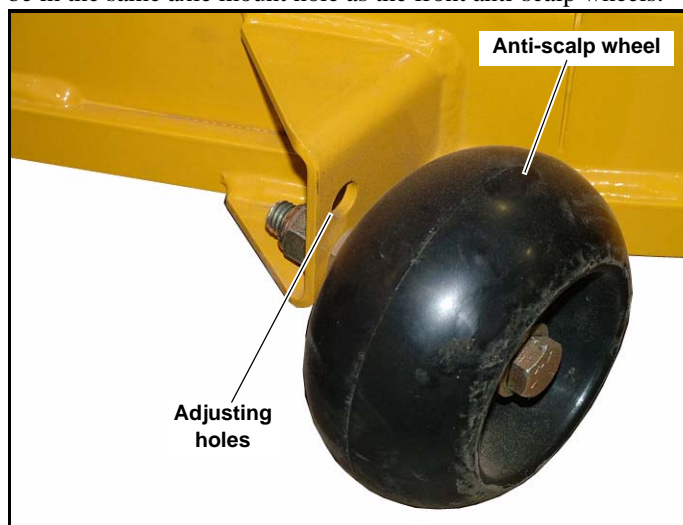


Fig. 3-13

# MAINTENANCE & ADJUSTMENTS

## Safe Servicing Practices

This product is capable of amputating hands and feet and throwing objects. Always follow all safety instructions to avoid serious injury or death.

## Service

- ▲ Unless specifically required, **DO NOT** have engine running when servicing or making adjustments to tractor. Park the machine on level ground. Always disengage deck clutch, place H-bar steering in neutral, place neutral lock/park brake lever in park brake position, stop engine, and remove ignition key when leaving the unit. Remove the spark plug wires from the spark plugs, or, if applicable, disconnect the negative battery cable. Wait for engine and all moving parts to come to a complete stop before doing any maintenance, adjusting, cleaning or repairing. Repairs or maintenance requiring engine power should be performed by trained maintenance personnel only. To prevent carbon monoxide poisoning, be sure proper ventilation is available when engine must be operated in an enclosed area. Read and observe safety warnings in front of manual.
- ▲ Before working on or under the deck, make certain engine cannot be accidentally started. Shut engine off and disconnect spark plug wires from the spark plugs for maximum safety. If machine has a battery, disconnect negative battery cable. Repairs or maintenance requiring engine power should be performed by trained personnel only.
- ▲ Except when changing or checking belt, always keep belt covers on mower deck for safety as well as cleanliness.
- ▲ Use a stick or similar instrument to clean under the mower making sure that no part of the body, especially arms and hands are under mower.
- ▲ Keep your machine clean and remove any deposits of trash and clippings, which can cause engine fires and hydraulic overheating as well as excessive belt wear. Clean up oil or fuel spillage. Allow machine to cool before storing.
- ▲ **Clean flammable material from machine. Prevent fires by keeping engine compartment, exhaust area, battery (if applicable), fuel line and fuel tank clean of accumulated trash, grass clippings, and other debris. Always clean up spilled fuel and oil.**
- ▲ Always wear adequate eye protection when servicing the hydraulic system and battery (if applicable), or when grinding mower blades and removing accumulated debris.
- ▲ Use extra caution when handling gasoline and other fuels. They are flammable and vapors are explosive.
- ▲ Never attempt to start engine when there is a strong odor of gasoline fumes present. Locate and correct cause.
- ▲ Never remove fuel cap or refuel tractor while engine is running; never refuel near an open flame or near devices which can create a spark. Refuel outdoors. Never refuel or drain the fuel from the machine indoors.

- ▲ Never run the engine in an enclosed area unless exhaust is vented to the outside. Exhaust gases contain carbon monoxide which is odorless and deadly poison.
- ▲ Never attempt to make any adjustments or repairs to the traction drive system, mower deck or any attachment while the engine is running or deck clutch is engaged. Mower blades cannot be seen and are located very close to the deck housing. Fingers and toes can be cut off instantly. Repairs or maintenance requiring engine power should be performed by trained maintenance personnel only.
- ▲ Never work under the machine or attachment unless it is safely supported with jack stands. Make certain machine is secure when it is raised and placed on the jack stands. The jack stands should not allow the machine to move when the engine is running and the drive wheels are rotating. **Use only certified jack stands.** Use only appropriate jack stands, with a minimum weight rating of 2000 pounds to block the unit up. Use in pairs only. Follow the instructions supplied with the vehicle stands.
- ▲ Do not touch hot parts of machine. Be careful of hot muffler. Allow engine to cool before servicing.
- ▲ Keep nuts and bolts tight, especially the blade attaching bolts. Keep equipment in good working condition.
- ▲ Never tamper with safety devices. Check their proper operation regularly.
- ▲ Stop the engine before removing the grass catcher or unclogging the discharge chute. Never clear the discharge chute with the engine running. Turn off the engine and be sure the blades have stopped before cleaning. Disconnect the spark plug wires from the spark plugs before cleaning, being careful to not touch the hot engine or muffler. Use a stick to clear a plugged discharge area. **Never use your hand!**
- ▲ Grass collection system components are subject to wear, damage and deterioration, which could expose moving parts or allow objects to be thrown. Frequently check components and replace with manufacturer's recommended parts, when necessary.
- ▲ Exercise caution when working under the deck as the mower blades are extremely sharp. Wrap the blade(s) or wear gloves and use extra caution when servicing them.
- ▲ Use only genuine Hustler replacement parts to ensure that original standards are maintained

## Introduction



**WARNING:** Before working on or under the deck, make certain engine cannot be accidentally started. Shut engine off and remove ignition switch key for maximum safety. If machine is a recoil start, disconnect the spark plug wires from the spark plugs. If machine has a battery, disconnect negative battery cable. Repairs or maintenance requiring engine power should be performed by trained personnel only.



**WARNING:** Exercise caution when working under the deck as the mower blades are extremely sharp. Wearing gloves is advisable when working around or with the blades.



**WARNING:** Except when changing or checking belt, **always** keep belt covers on mower for safety as well as cleanliness.



**WARNING:** When possible clean under mower, using a stick or similar instrument making sure that no part of the body, especially arms and hands are under mower.

Regular maintenance is the best prevention for costly downtime or expensive, premature repair. The following pages contain suggested maintenance information and schedules which the operator should follow on a routine basis. For more detailed information order the correct parts manual for your unit. Refer to the Product Literature section of this manual.

Remain alert for unusual noises, they could be signaling a problem. Visually inspect the machine for any abnormal wear or damage. A good time to detect potential problems is while performing scheduled maintenance service. Correcting the problem as quickly as possible is the best insurance.



**WARNING:** Keep your machine clean and remove any deposits of trash and clippings, which can cause engine fires and hydraulic overheating as well as excessive belt wear.

Clear away heavy build-up of grease, oil and dirt, especially in the engine and hydraulic reservoir areas; minute dust particles are abrasive to close-tolerance engine and hydraulic assemblies.

**Daily inspect** mower for grass clippings and wire and string tangles. The underside of the mower deck will collect a build-up of grass clippings and dirt, especially when grass is wet or has high moisture content. This build-up will harden, restricting blade and air movement and will probably show a poorer quality of cutting. Therefore it should be removed routinely.

To do this it will be necessary to raise and block the deck, using jack stands or blocks, in the full up position and scrape the build-up from underneath.

Some repairs require the assistance of a trained service mechanic and should not be attempted by unskilled personnel. Consult your Hustler service center when assistance is needed.

## Torque values



**WARNING:** Particular attention must be given to tightening the drive wheel lug nuts and blade spindle bolts.

Failure to correctly torque these items may result in the loss of a wheel or blade, which can cause serious damage or personal injury.

Torque values are given below:

	Ft-lbs.	Nm
Wheel (lug) nuts.....	65-75.....	88.14-101.7
Wheel motor nut.....	200-225.....	272.0-306.0
Blade spindle bolt top .....	118 .....	160.01
Blade spindle bolt bottom .....	118 .....	160.01

**Lug nuts only** - It is recommended that these be checked after the first 2 hours of operation, initially, every 50 hours and following removal for repair or replacement.

For all other torques refer to the various tractor parts manuals for standard torque chart. See the Product Literature section of this manual for ordering information.

For engine torque values, see engine owner's manual.

## Tires

It is important for level mowing that the tires have the same amount of air pressure. The recommended pressure are:

Drive wheels .....8-12 psi (55-83 KPa)

**Solid fill tires are not recommended** for Hustler turf equipment. On any machine, with solid filled tires, the warranty claim will be denied.

## Hour meter

To recognize when your machine needs servicing, check the hour meter and the maintenance schedule. The hour meter shows the number of hours the engine has run and the maintenance schedule lists the service intervals.

## Lubrication

Use no more than one or two ounces (30–60 cc) of SAE multi-purpose grease, (1 to 2 pumps on an average grease gun). Do not force lubricant in to grease zerks. Bearings are sealed and do not require much lubricant.

After every 50 hours of normal operation, apply a SAE multi-purpose grease to the other lubrication points shown on the *Maintenance Locator Chart* found elsewhere in this manual. When operating under extremely dirty conditions, lubricate more frequently than every 50 hours.

To lubricate these points:

1. Wipe away all old grease and dirt from the lubrication fittings to prevent dirt or foreign material from entering as new grease is applied.
2. Use a high pressure grease gun to force in the new grease. Apply pressure until clean grease oozes from each lubrication point.
3. Wipe away any excess grease.

## Electrical system (electric start only)

The electrical system is a 12 volt, negative ground. Recommended battery size is a garden tractor BCI group U1R with 225 or better cranking AMP rating. A maintenance-free battery is recommended. Otherwise, follow battery manufacturer's maintenance, safety, storing and charging specifications.

The battery is located on the right rear corner of the deck platform. Fig. 4-1



**WARNING:** Battery posts, terminals, and related accessories contain lead and lead compounds, chemicals known to the State of California to cause cancer and reproductive harm. Wash hands after handling.



**WARNING:** Change batteries in an open well ventilated area, away from spark and flames. Unplug charger before connecting or disconnecting from the battery. Wear protective clothing and use insulated tools.



**WARNING:** Avoid skin and clothing contact with battery acid.

Always wear eye protection when checking the battery, acid can cause serious injury to skin and eyes. If contact occurs, flush area with clean water and call physician immediately. Acid will also damage clothing.

Do not drink the battery electrolyte.

Do not allow open flame near the battery when charging.

Hydrogen gas forms inside the battery. This gas is both toxic and flammable and may cause an explosion if exposed to flame. Always remove the negative ground first and replace it last.

Do not overfill battery.

Electrolyte may overflow and damage paint, wiring or structure. When cleaning the battery, use soap and water. Be careful not to get soap and water into the battery. Clean the battery terminals with a solution of four parts water and one part baking soda when they become corroded.



**WARNING:** Shorts caused by battery terminals or metal tools touching metal tractor components can cause sparks. Sparks can cause a battery gas explosion which will result in personal injury.

Prevent the battery terminals from touching any metal tractor parts when removing or installing the battery.

Do not allow metal tools to short between the battery terminals and metal tractor parts.



**WARNING:** Incorrect battery cable routing could cause damage to the tractor and battery cables. This can cause sparks which can cause a battery gas explosion which will result in personal injury.

Always **disconnect** the negative (black) battery cable(s) before disconnecting the positive (red) cable(s).

Always **connect** the positive (red) battery cable(s) before connecting the negative (black) cable(s).

## Hydraulic system

The TrimStar is equipped with two Hydro-Gear ZT transaxles.

**IMPORTANT:** Never use hydraulic or automatic transmission fluid in this system; use only motor oil as specified. Remember, dirt is the primary enemy of any hydraulic system.

The hydraulic expansion tank is located behind the left rear

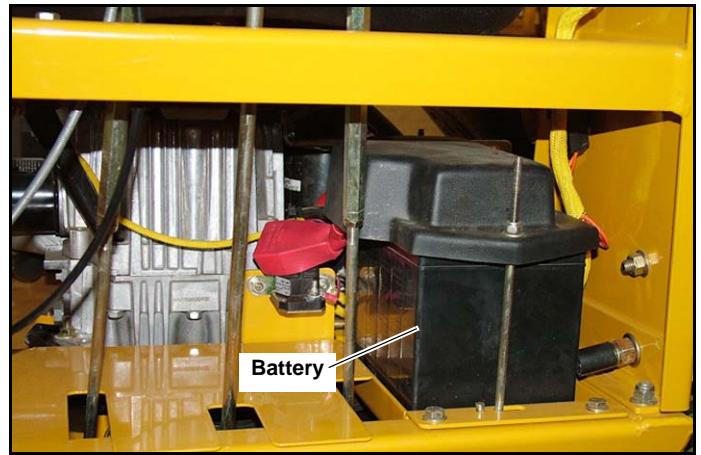


Fig. 4-1

corner of the engine. Fig. 4-2

Check oil level in hydraulic system after every 50 hours of operation or weekly, whichever occurs first. Check more often if system appears to be leaking or otherwise malfunctioning.

Fluid level should be at the “Full Cold” line on the expansion tank. Use only SAE 20W50 SL service motor oil.

Initial system oil and filter change **must** be after the first 75 hours of use or 1 year whichever comes first. Thereafter, replace filter and oil in each transaxle every 2 years or 200 hours, whichever comes first. **NOTE:** The filter guard must be removed to access filter.

Each transaxle’s filter is located per Fig. 4-3. A standard oil filter wrench is used to change filter, threads are right handed.

**Use a Hustler approved filter element only.**

**IMPORTANT:** Purging procedures must be followed after changing the oil and filter. Refer to Parts Manual (Hustler P/N 111252 or 111334) for more detailed oil changing and purging information.



**WARNING:** When washing the mower, direct the spray away (especially if using a power washer) from the Hydro-Gear ZT transaxle’s seals to prevent water intrusion and to ensure component performance.

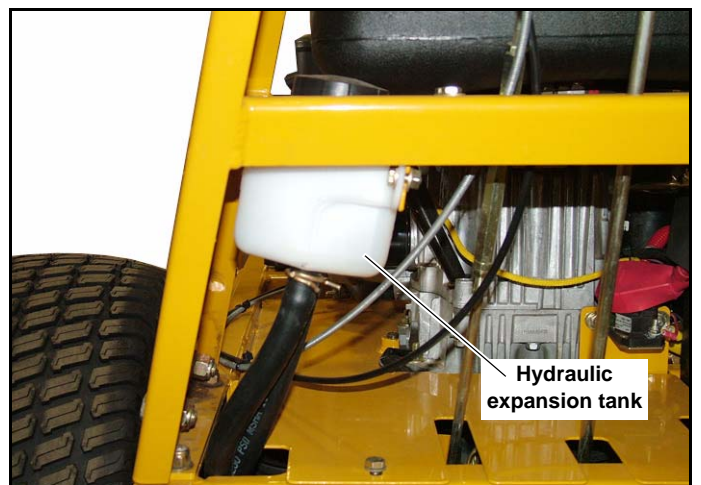


Fig. 4-2

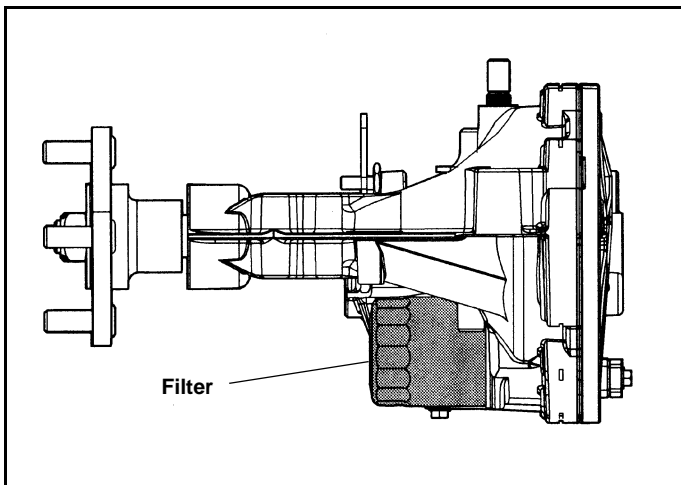


Fig. 4-3

## Fuel system



**DANGER:** To avoid personal injury or property damage, use extreme care in handling gasoline. Gasoline is extremely flammable and the vapors are explosive.



**DANGER:** Observe usual fuel handling precautions:

- Do not smoke while refueling. Extinguish all cigarettes, cigars, pipes and other sources of ignition.
- Do not remove fuel cap or fill tank with engine running or while engine is hot. Clean up any gasoline spills.
- Allow engine to cool before storing machine inside a building.
- Keep fuel away from open flame or spark and store machine away from open flame or spark or pilot light such as on a water heater or other appliances.
- Use extreme care when handling gasoline and other fuels. They are extremely flammable and vapors are explosive. A fire or explosion from gasoline can burn you and others and can damage property.
- Refuel outdoors. Never refuel or drain the fuel from the machine indoors.
- Never attempt to start engine when there is a strong odor of gasoline fumes present. Locate and correct cause.
- Store gasoline in an approved container and keep it out of the reach of children. Never buy more than a 30 day supply of gasoline.
- Do not fill gasoline containers inside a vehicle or on a truck or trailer bed with interior carpets or plastic truck bed liners. Always place gasoline containers on the ground away from your vehicle before filling.
- When practical, remove gas-powered equipment from the truck or trailer and refuel the equipment with its wheels on the ground. If this is not possible, then refuel such equipment on the truck or trailer using a portable container and not a gasoline dispenser nozzle. If a gasoline dispenser nozzle must be used, keep the nozzle in contact with the rim of the fuel tank or container opening at all times until

fueling is complete. Do not use a nozzle lock-open device.

- Never use gasoline for cleaning parts.
- Read and observe safety precautions elsewhere in this manual.



**WARNING:** Gasoline is harmful or fatal if swallowed.

Long-term exposure to vapors can cause serious injury and illness.

Avoid prolonged breathing of vapors.

Keep face away from nozzle and gas tank or fuel container opening.

Keep gas away from eyes and skin.

If fuel is spilled on clothing, change clothing immediately.

The 5.0 U.S. gallon (18.9 liter) fuel tank is located behind the engine. Fig. 4-4

Use regular unleaded gasoline with an octane rating of 87 or higher.

**IMPORTANT:** Never use methanol, gasoline containing methanol, or gasohol containing more than 10% ethanol because the fuel system could be damaged. Do not mix oil with gasoline.

**IMPORTANT:** Do not overfill the fuel tanks. The fuel tank should be filled no higher than to the top of the sight glass. The fuel filter is installed in the fuel line between fuel tank and engine fuel pump. Replace filter annually or after every 500 hours of operation, whichever occurs first. Fig. 4-5

When replacing the fuel filter, check the fuel line hoses for any cracks or leaks. Replace as needed.

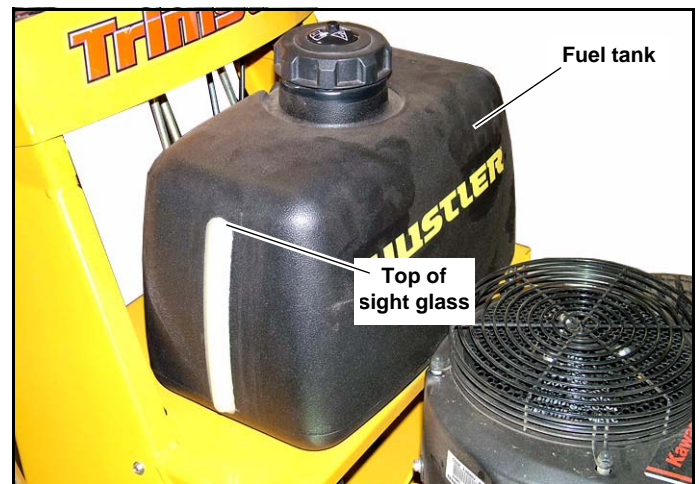


Fig. 4-4

## Engine oil and filter

Check engine oil daily and after every 4 hours of operation. Tractor must be setting level when checking oil. Refer to engine manual and maintenance schedule for oil recommendation and capacities.

Change the engine oil and filter after the first 5 hours of operation, per the engine manufacturer's recommendations after that. If tractor is being operated in extremely dirty conditions, then it is recommended oil be changed more frequently.

**IMPORTANT:** When removing the oil filter take precautions to



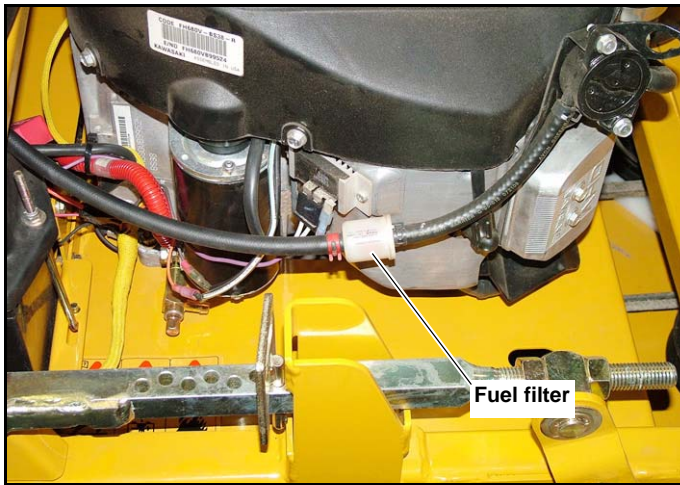


Fig. 4-5

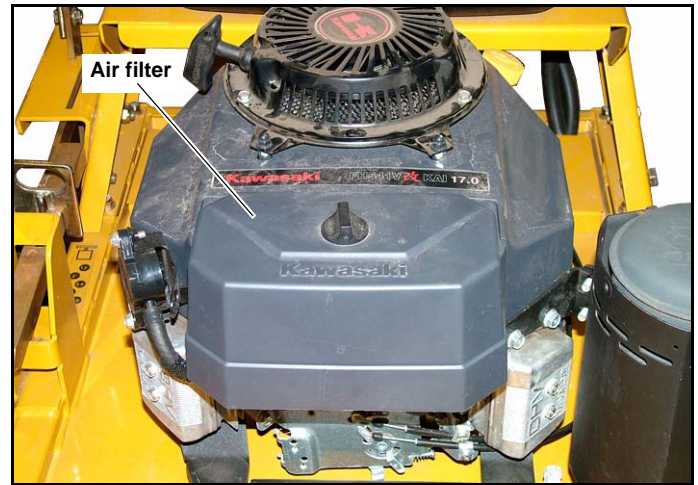


Fig. 4-7

minimize oil spillage on the exhaust system.

Attach the oil drain hose, furnished with the unit, to the oil drain valve when draining the engine oil. Oil drain hose **must** be removed after oil is drained. **IMPORTANT:** All oil drips or spills **must** be cleaned off of the exhaust system before operating the machine. Fig. 4-6

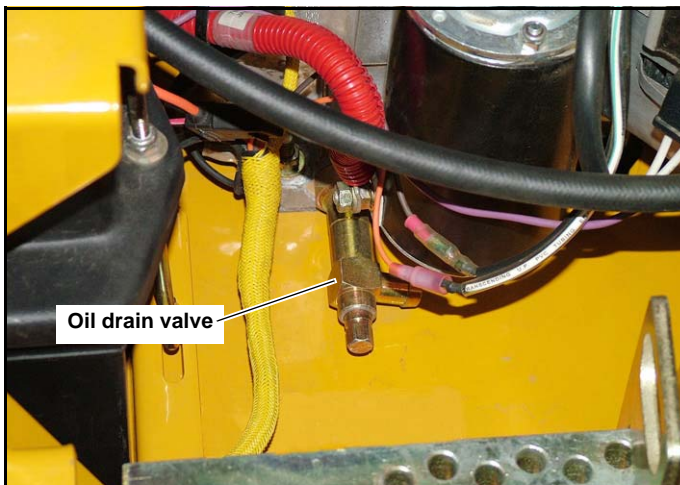


Fig. 4-6

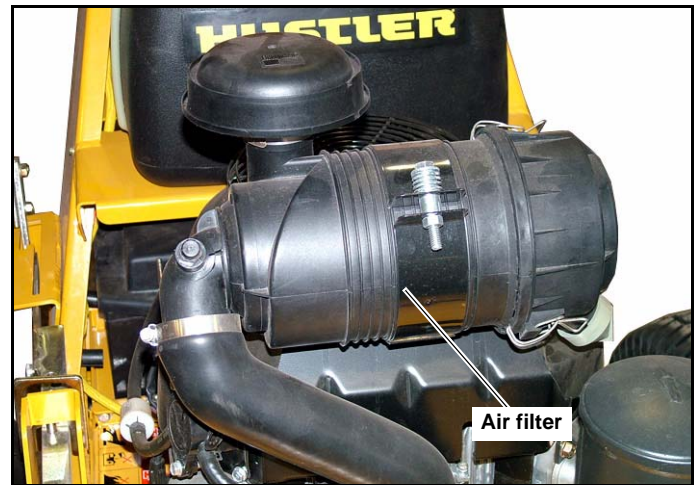


Fig. 4-8

## Engine air filter

Perform engine air filter maintenance per the engine's owner's manual. Fig. 4-7 and Fig. 4-8

### Recommended service procedure for remote air cleaners

1. Release clamps and remove element. Clean the canister with a damp cloth.
2. Before installing a new element, inspect it by placing a bright light inside and rotate the element slowly, looking for any holes or tears in the paper. Also check gaskets for cuts or tears. Do not attempt to use a damaged element which will allow abrasive particles to enter the engine.
3. Reinstall the dust cup. Make sure it seals all the way around the air cleaner body, then tighten the clamps.
4. Check all fittings and clamps periodically for tightness and inspect hoses for holes or cracks.
5. Periodically check the intake hose for signs of ingested

dust. Locate and repair the source of ingested dirt.

6. Never operate a machine without an air filter installed.

### Overservicing

Overservicing occurs when an air filter element is removed for cleaning or replacement before it is necessary. Each time the filter is removed a small amount of dirt and dust could fall in the intake system. This accumulated dirt can cause a dusted engine. It only takes a few grams of ingested dirt over the normal service life of an engine to cause a dusted engine.

**Do not clean element, replace with a new element only.** Cleaning used air filter elements, through improper cleaning procedures, can get dust on the inside of the filter causing dirt ingestion and engine failure.

It is important to note that whenever an air filter element is cleaned by **any method**, the person or company performing the cleaning assumes responsibility for the integrity of the filter from then on. **The warranty for air filters expires upon cleaning or servicing in any manner because the condition of the filter after servicing is completely out of their control. Therefore, on a dust ingested engine failure, there will be no warranty consideration if the air filter element has been cleaned or serviced in any manner.**

A partially dirty air filter element works better than a new element. Therefore, a dirty filter element is not bad for the

engine unless it is excessively restricting the air flow and engine performance is affected. The reason is simple. The media in the filter must be porous to allow air to pass through it. When dirty air passes through the filter, the dirt plugs some of the holes in the media and actually acts as part of the filter media. When the next round of dirt enters, the first dirt helps filter out even smaller particles making the filter more efficient at stopping dirt from entering the engine. This is referred to as barrier filtration.

Of course, at some point the filter media becomes too clogged to allow air to pass.

The mowing conditions will determine the frequency of air filter element changing.

## General engine maintenance

Detailed instructions and recommendations for break-in and regular maintenance are specified in the Engine Owner's manual. Please refer to this manual for engine servicing, lubricating oil levels with quality and viscosity recommendations, bolt torques, etc. The engine warranty is backed by the manufacturer. Special attention should be paid to applicable data which will not be duplicated here.

## Belts

Inspect belts frequently for wear and serviceability. Replace a belt that shows signs of severe cuts, tears, separation, weather checking and cracking, or burns caused by slipping. Slight raveling of belt covering does not indicate failure, trim ravelings with a sharp knife.



**WARNING:** If the pump belt fails, loss of control will occur especially when operating on a slope.

**If you lose steering control while operating the machine, place the H-Bar steering lever in the neutral position immediately and place the neutral lock/park brake lever in the park brake position. Inspect the machine and involve your Hustler dealer to resolve the problem before continuing to operate.**

Inspect the belt pulley grooves and flanges for wear. A new belt, or one in good condition, should never run against the bottom of the groove. Replace the pulley when this is the case, otherwise belt will lose power and slip excessively.

Never pry a belt to get it on a pulley as this will cut or damage the fibers of the belt covering.

Keep oil and grease away from belts and never use belt dressings.

## Mower blade maintenance

Check the mower blades daily, they are the key to power efficiency and well groomed turf. Keep them sharp, a dull blade will tear rather than cut the grass, leaving a brown ragged top on the grass within a few hours. A dull blade also requires more power from the engine.

Replace any blade which is bent, cracked or broken.



**WARNING:** Before working on or under the deck, make certain engine cannot be accidentally started. Shut engine off and remove ignition switch key for maximum safety. If applicable disconnect negative battery cable. Repairs or maintenance requiring engine power should be performed by trained personnel only.



**WARNING:** Never attempt to straighten a bent blade by heating, or weld a cracked or broken blade as the blade may break and cause serious injury. Replace worn or damaged blades.



**DANGER:** Never work with blades while engine is running or deck clutch switch is engaged (on). Always place deck clutch switch in the disengaged position, place the H-Bar steering lever in the neutral position, place the neutral lock/park brake lever in the park brake position. Turn engine off and either disconnect the spark plug wires from the spark plugs (recoil start units) or disconnect negative battery cable (electric start units). Block up mower when you **must** work under it. Wear gloves when handling blades. **Always check for blade damage** if mower strikes rock, branch or other foreign object during mowing!



**WARNING:** Always wear adequate eye protection when grinding mower blades.

## Mower blade removal

Use a 15/16" wrench to remove the 5/8" cap screw holding the blade to the spindle shaft from underneath. **NOTE:** A blade holding tool (part number 381442) is available from Hustler Turf Equipment. It is designed to prevent the blades from rotating when they are being removed or installed on the spindle. Contact your Hustler dealer for more information.

Sharpen the blades on a grinder following pattern as shown (Fig. 4-9). Touch-up sharpening can be done with a file.

Check the blades for balance following grinding. A commercial balancing tool is available through most hardware supply stores, or balancing can be done by placing the blade on an inverted line punch or 5/8" bolt. Blade should not lean or tilt. Spin the blade slowly, blade should not wobble. If blade is out of balance, true it up before reinstalling.

Lay the blade on a flat surface and check for distortion (Fig. 4-10 and Fig. 4-11). Replace any distorted blade.

Do not re-use spindle bolts which have stripped, worn or undercut threads. Torque bolts on spindles to 118 foot-pounds (160.01nm) when reinstalling blades.

**IMPORTANT:** The blade sail (curved part) must be pointing upward toward the inside of the deck to ensure proper cutting.

**IMPORTANT:** When mounting blades, rotate them after installation to ensure blade tips do not touch each other or sides of the mower.



**WARNING:** Failure to correctly torque the bolt may result in the loss of the blade which can cause serious injury.



**WARNING:** Mower blades are sharp and can cut. Wrap the blade(s) or wear gloves and use extra caution when servicing them.

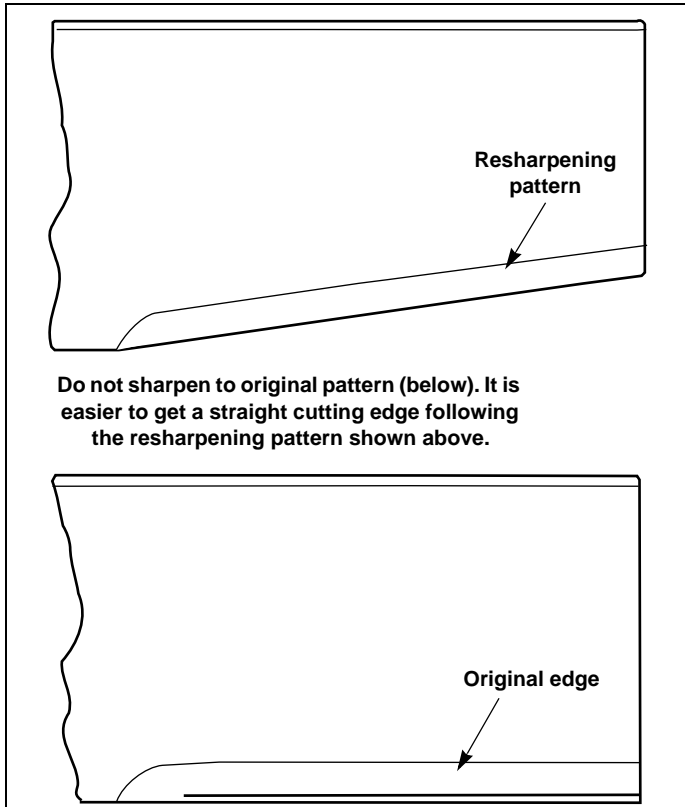


Fig. 4-9

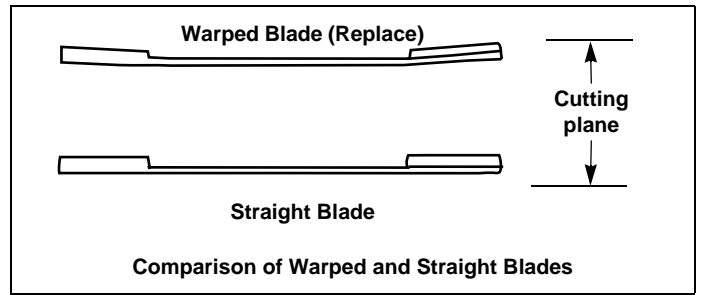


Fig. 4-10

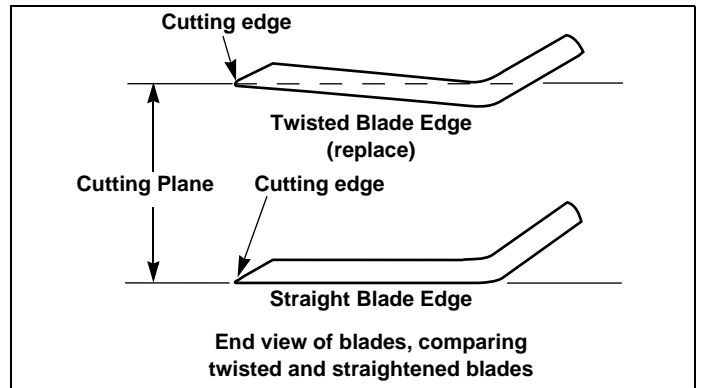


Fig. 4-11

# MAINTENANCE SCHEDULE

## Hustler TrimStar Maintenance Schedule Refer to Fig. 4-12

SERVICE AT INTERVALS INDICATED	WEEKLY OR 50 HOURS	MONTHLY OR 100 HOURS	ANNUALLY OR 300 HOURS
Verify safety start interlock system	Prior to each use		
Visually inspect unit for loose hardware and/or damaged parts	Prior to each use		
Visually inspect tires	Prior to each use		
Check oil level, engine (1)	Prior to each use or every 4 hours		
Clean air intake screen (4)	Prior to each use or every 4 hours		
Check fuel level	Prior to each use		
Blades - sharpen & securely fastened	Prior to each use		
Discharge chute - securely in place & in lowest position	Prior to each use		
Replace air cleaner paper element	As needed		
Clean engine & transaxle compartment	Daily		
Change transaxle oil & filter (7)	Every 200 hours or 2 years		
Grease deck height pivots	X		
Grease front wheel bearings	X		
Change engine oil & filter (1)(3)	X		
Clean cylinder & head fins (a)	X		
Check battery connections	X		
Check tire pressure with a gauge	X		
Check hydraulic oil level	X		
Clean engine exterior (a)	X		
Clean & regap spark plugs (a)		X	
Check pump & deck belt tension and condition (5)		X	
Check fuel & hydraulic lines (6)		X	
Check fuel tank grommet (6)		X	
Tighten lug nuts on wheels (2)		X	
Change fuel filter			X
Replace spark plugs			X

### NOTES:

1. Initial oil change is after 5 hours of operation. Thereafter, change oil after every 50 hours operation. Change more often under dusty or dirty conditions and during hot weather periods.
2. Torque initially and after first 2 hours of operation.
3. Change engine oil filter per the engine manufacturer's recommendations. Refer to Engine Owner's Manual for recommendations and other maintenance items.
4. Service more often under dusty or dirty conditions.
5. **Pump drive belt only - Inspect every 6 months or 100 hours** and replace if worn or cracking is noticed. Otherwise, **replace every 200 hours or 2 years** whichever comes first. Refer to *Cold weather pump clutch* section for tensioning information.
6. Check fuel line hoses and grommets for any cracks or leaks.
7. Initial system oil and filter change **must** be after the first 75 hours of use or 1 year whichever comes first. Thereafter, replace filter and oil in each transaxle every 2 years or 200 hours, whichever comes first.

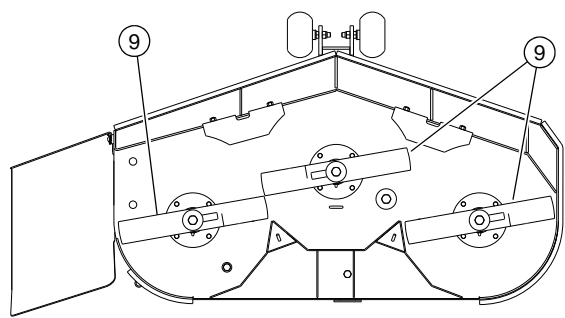
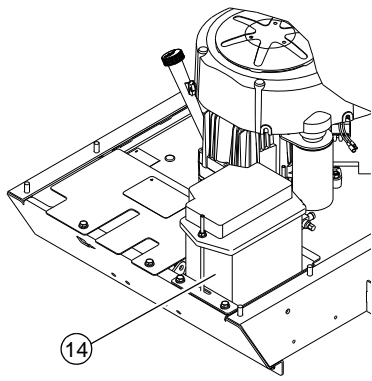
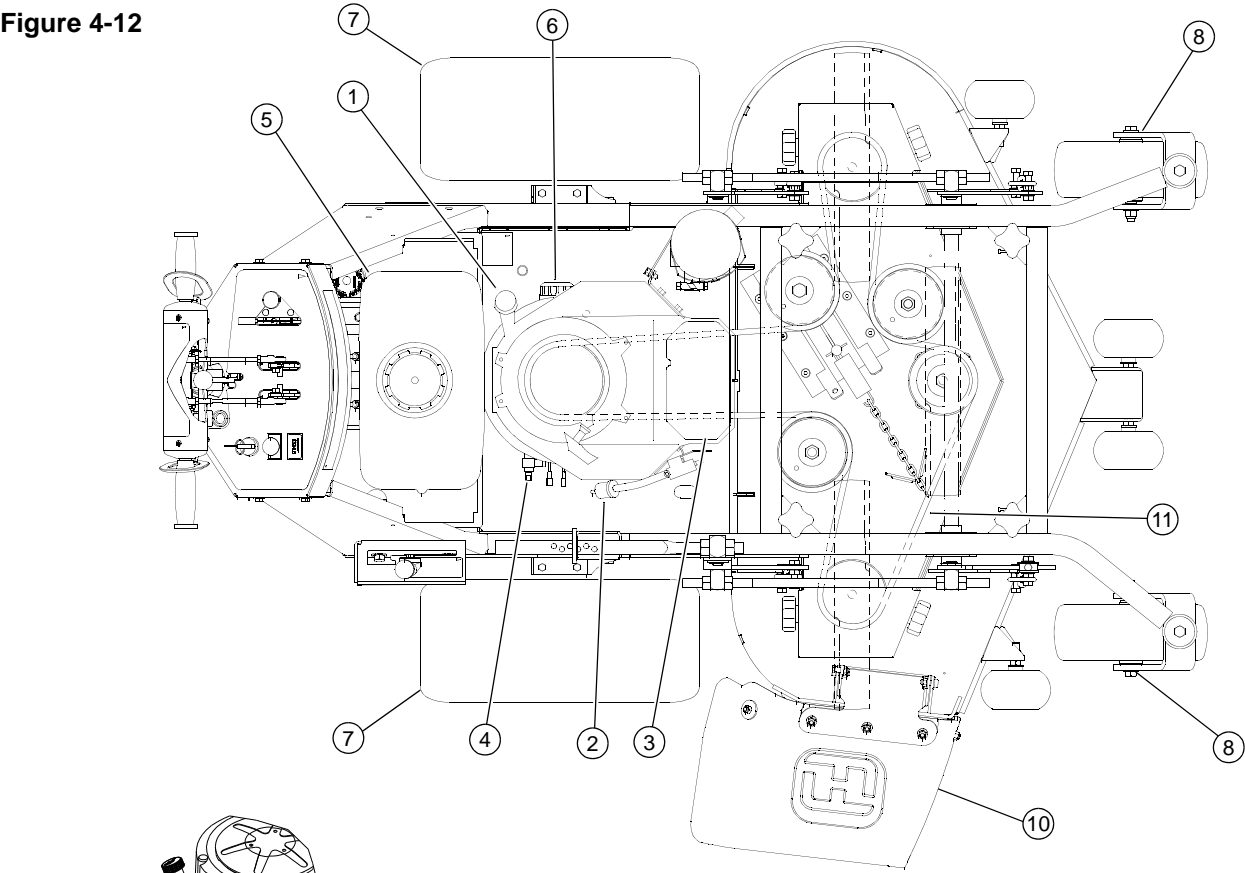
### REFERENCES:

a—Refer to Engine Owner's Manual

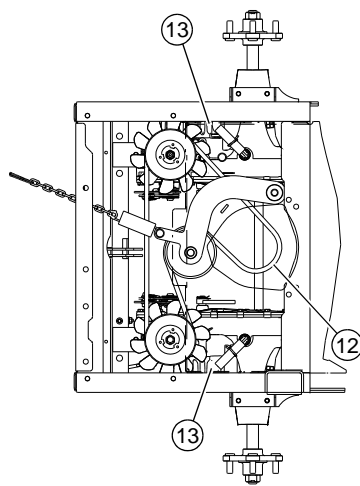
**NOTE:** After completing maintenance cycle (100 hours), repeat cycle.

# MAINTENANCE LOCATOR CHART

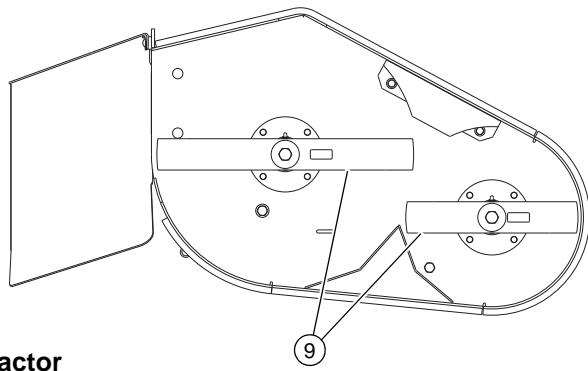
Figure 4-12



48"/54" Deck



36" Deck



1. Engine oil fill & dipstick
2. Fuel filter
3. Engine air cleaner
4. Engine oil drain
5. Fuel tank
6. Engine oil filter
7. Drive tire
8. Gauge wheel bearings
9. Blades
10. Discharge chute
11. Deck drive belt
12. Pump belt
13. Transaxle oil filter
14. Battery

Viewed from underneath side of tractor



## STORAGE

When storing the unit at the end of the mowing season, the following steps should be taken to ensure readiness for the next mowing season.

1. Remove all grass, dirt, and trash from tractor and mower. Clean tractor and mower and touch up all scrapes with Hustler spray paint.  
**IMPORTANT:** Wash the machine with a mild detergent and water. Do not pressure wash the machine. Avoid excessive use of water, especially near the control panel, engine and the integrated pump/motor units.
2. Install new air filter per Engine Owner's Manual.
3. Check thoroughly for any worn or damaged parts that need replacing and order them from your dealer.
4. Thoroughly lubricate machine, according to lubrication instructions.
5. Block tractor up so weight is off tires.
6. Do not deflate tires.
7. Remove the battery from machine (if applicable)
  - a. Clean battery
  - b. Check the electrolyte level
  - c. Charge the battery, if necessary
  - d. Store battery in a cool, dry place (do not expose to freezing temperatures)
  - e. Always keep the battery fully charged. (Especially important to prevent battery damage when the temperature is below 32°F (0°C.)
8. Perform separate engine preparation as listed below.
9. Store tractor in a clean, dry place.

### Preparation of engine for storage

When engine is to be unused for long periods, proceed as follows:

1. Run engine for a minimum of 15 minutes.
2. Drain oil from crankcase while engine is still warm.
3. Refill with fresh oil of proper viscosity.
4. Drain fuel tank and run the engine until it stops from lack

of fuel. Gasoline evaporates if left in carburetor for long periods, forming gum and varnish deposits in carburetor. These deposits will cause engine flooding and loss of power.

5. Remove and replace fuel filter if not done in previous 100 hours.
6. Remove spark plugs and pour a tablespoon of engine oil into each spark plug hole, Install plugs, but do not reconnect plug leads.
7. Crank engine at least a dozen revolutions to distribute oil over cylinder walls and valve mechanism.
8. Clean exterior surface of engine. Spread a light film of oil over any exposed metal surfaces of engine that are subject to corrosion.
9. Clean dirt and chaff from cylinders and fins, blower housing and muffler.
10. Check oil filler cap and fuel tank cap to make certain they are securely in place.
11. Refer to engine manual for more information.

### New season preparation

Before starting the tractor following post season storage, the following servicing is required:

1. Clean tractor, removing trash and dirt accumulation.
2. Check engine oil level.
3. Fill fuel tank with fresh gasoline. Run machine at half speed for 5 minutes, checking operation of steering control lever. Stop engine and check for oil leaks, loose fittings and so forth.
4. Tighten any bolts that have loosened and make sure all hair pins, cotter pins and clevis pins are in place.
5. Install all safety shields and review safety precautions listed in this manual.
6. Check and inflate tires to 8-12 psi (55-83 KPa).
7. Refer to engine manual for more information.

## PRODUCT LITERATURE

If you would like to view or print a copy of the TrimStar Parts Manual go online to [www.hustlerturf.com](http://www.hustlerturf.com) and click on the *MANUALS* button.





# TROUBLESHOOTING

SYMPTOMS	PROBABLE CAUSES	SUGGESTED REMEDIES
<b>The engine will not start, starts hard or fails to keep running</b>	Deck clutch engaged	Disengage deck clutch
	No fuel or line plugged	Fill tank or replace line
	Fuel valve is turned off	Open the fuel valve
	There is incorrect fuel in the fuel system	Drain the tank and replace the fuel with the proper type
	There is dirt in the fuel filter	Replace the fuel filter
	Dirt, water or stale fuel in the fuel system	Contact your Hustler Dealer
	The choke is not on	Move the choke lever to ON
	Numerous	See engine manual
<b>Engine: Runs with continuous misfiring or engine runs unevenly or erratically</b>	Numerous	See engine manual
<b>Loss of power or system will not operate in either direction</b>	Restrictions in air cleaner	Service air cleaner
	Poor compression	See your dealer
	Steering linkage needs adjustment	Adjust linkage
	Tow valve open	Close tow valve
	The traction drive belt is worn, loose or broken	Install a new traction drive belt
	The traction drive belt is off the pulley	Install the traction drive belt and check for a reason
	For additional causes	See engine manual
<b>Overheating</b>	Air intake screen or cleaning fins clogged	Clean screen and fins
	For additional causes	See engine manual
<b>Low engine oil pressure</b>	Low oil level	Add oil
	Oil diluted or too light	Change oil and check for source of contamination
<b>High oil consumption</b>	Numerous	See your dealer
<b>Tractor jerky when starting or operates in one direction only</b>	Steering control linkage needs adjustment	Adjust linkage
	Transaxle component faulty	See your dealer

SYMPTOMS	PROBABLE CAUSES	SUGGESTED REMEDIES
<b>Tractor creeps when steering control levers are in neutral</b>	Steering linkage needs adjustment	Adjust linkage
<b>Tractor circles or veers in one direction</b>	Steering linkage needs adjustment	Adjust linkage
	Tires improperly inflated	Adjust air pressure to 8 - 12 psi (55 - 83 KPa)
	Transxle component faulty	See your dealer
<b>There is abnormal vibration</b>	The engine mounting bolts are loose	Tighten the engine mounting bolts
	The engine pulley, idler pulley or blade pulley is loose	Tighten the appropriate pulley
	The engine pulley is damaged	Contact your Hustler Dealer
	The cutting blade(s) is/are bent or unbalanced	Install new cutting blade(s)
	A blade mounting bolt is loose	Tighten the blade mounting bolt
	Spindle bearing is worn or loose	Replace or tighten spindle bearing
<b>Uneven cutting height</b>	A blade spindle is bent	Contact your Hustler Dealer
	The blade(s) are not sharp	Sharpen the blades
	A cutting blade(s) is/are bent	Install new cutting blade(s)
	The deck is not level	Level the deck per the Deck leveling and height adjustment section of the parts manual
	An anti-scalp wheel is not set correctly	Adjust the height of the anti-scalp wheel
	The underside of the deck is dirty	Clean the underside of the deck
	Tires improperly inflated	Adjust air pressure to 8 - 12 psi (55 - 83 KPa)
<b>Blades do not rotate</b>	A blade spindle is bent	Contact your Hustler Dealer
	The deck drive belt is worn, loose or broken	Install a new deck drive belt
	The deck drive belt is off the pulley	Install the deck drive belt and check for a reason
	Electric clutch is not engaging	Check and/or replace 10 amp fuse. Contact your Hustler dealer



# INDEX

	<b>PAGE</b>		<b>PAGE</b>
Anti-scalp wheels . . . . .	3-8	Mower blade removal . . . . .	4-6
Belts . . . . .	4-6	Mower deck operation . . . . .	3-7
Children . . . . .	3-2	New season preparation . . . . .	5-1
Cold weather pump clutch . . . . .	3-5	Operation . . . . .	3-1
Controls . . . . .	3-3	Parts and service . . . . .	1-1
Deck cutting height adjustment . . . . .	3-7	Preparation of engine for storage . . . . .	5-1
Electrical system (electric start only) . . . . .	4-2	Safe Operating Practices . . . . .	3-1
Engine air filter . . . . .	4-5	Safety and Instruction Decals . . . . .	2-1
Engine oil and filter . . . . .	4-4	Safety start interlock system . . . . .	3-3
Engine starting . . . . .	3-4	Slope operation . . . . .	3-2
Fuel system . . . . .	4-4	Stand-up sulkies . . . . .	3-7
General engine maintenance . . . . .	4-6	Steering the unit . . . . .	3-6
Hour meter . . . . .	4-2	Tires . . . . .	4-2
Hydraulic system . . . . .	4-3	To the new owner . . . . .	1-1
Lubrication . . . . .	4-2	Torque values . . . . .	4-2
Maintenance & Adjustments Introduction . . . . .	4-1	Troubleshooting . . . . .	6-1
Manual version . . . . .	1-2	Warranty . . . . .	1-2
Model and serial number . . . . .	1-1	Warranty registration . . . . .	1-1
Mower blade maintenance . . . . .	4-6		