

# Kilworth GRE Backhoe.

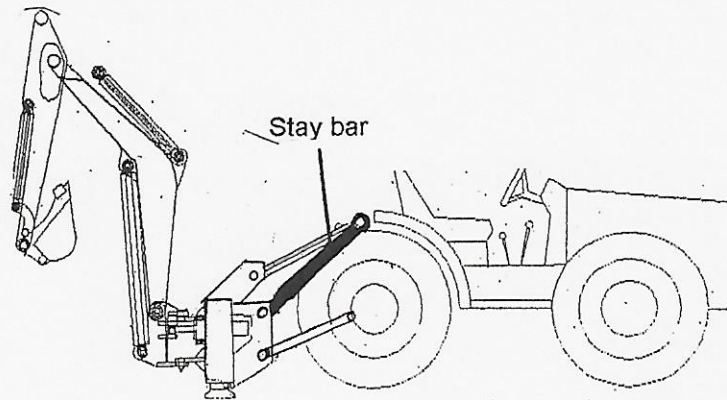
## Important Safety Information.

When fitting the GRE 3 point linkage mounted backhoe to the tractor it is absolutely essential that the linkage is locked by some mechanical means (see below).

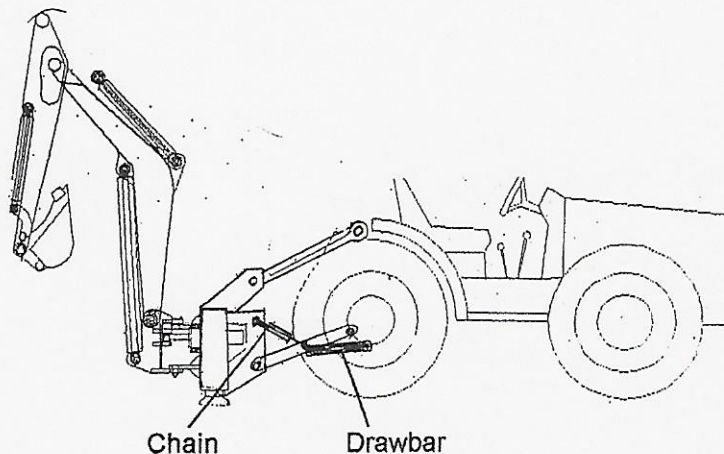
Using the backhoe without this mechanical lock is dangerous and can cause injury or death to the operator due to crushing against the roll over protection structure or cab of the tractor.

**Before using the backhoe ensure a mechanical lock is fitted to the linkage as shown in the examples below.**

Please contact Kilworth if you need further advice.



Fit rigid steel stay bars between a fixed point on the tractor (eg top link) and the linkage plates on the backhoe.



Fit chain and turnbuckles supplied between tractor drawbar and top hole on the backhoe linkage plates.

 **Kilworth**

Kilworth Machinery Ltd., Annwell Lane, Smisby, Ashby de la Zouch LE65 2TA  
Tel: 01530 412690 Fax: 01530 560002 Email: sales@kilworthmachinery.co.uk  
www.kilworthmachinery.co.uk